



maasco



FIYAT LİSTESİ 2023

satis@maasco.com.tr
0 (212) 255 05 69

online Satış Mağazası
www.maascoelektrik.com

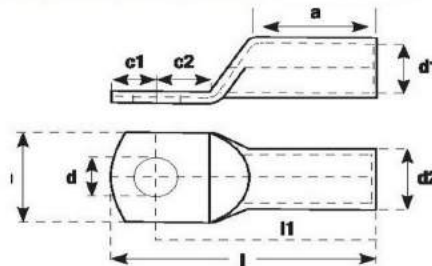
SIKMALI KABLO PABUÇLARI

STANDART TIP KABLO PABUCU

İMALATIMIZ

YERLİ
ÜRETİM

ÜRÜN KODU	KABLO KESİTİ (mm ²)	EBATLAR (mm)									AMBALAJ MİKTARI (KUTU)	FİYAT (TL / ADET)
		d	d1	d2	l	l1	a	b	c1	c2		
S-006	M5	5.3	5.3	5.3	26.5	21.5	10	11.5	6.1	9	1000	4,00
S-010	M5	5.3	4.7	6.6	27.5	22	11.3	10.3	5.5	7	800	5,00
S-010	M6	6.4	4.7	6.6	27.5	22	11.3	10.3	5.5	7	800	5,00
S-010	M8	8.3	4.7	6.6	27.5	22	11.3	10.3	5.5	7	700	5,15
S-010	M10	10.3	4.7	6.6	27.5	22	11.3	10.3	5.5	7	700	6,30
S-016	M6	6.4	5.6	7.8	29.5	24	13	11.2	5.5	6.5	500	7,40
S-016	M8	8.3	5.6	7.8	29.5	24	13	11.2	5.5	6.5	500	7,55
S-016	M10	10.3	5.6	7.8	29.5	24	13	11.2	5.5	6.5	500	8,20
S-025	M8	8.3	7.1	9.5	39	32.2	17.6	13.7	6.8	9.2	300	13,50
S-025	M10	10.3	7.1	9.5	39	32.2	17.6	13.7	6.8	9.2	300	13,90
S-025	M12	12.8	7.1	9.5	39	32.2	17.6	13.7	6.8	9.2	300	14,50
S-035	M8	8.3	8.2	10.8	44	35.7	19.9	15.3	8.3	9.7	200	17,90
S-035	M10	10.3	8.2	10.8	44	35.7	19.9	15.3	8.3	9.7	200	20,00
S-035	M12	12.8	8.2	10.8	44	35.7	19.9	15.3	8.3	9.7	200	20,00
S-050	M8	8.3	10.1	13	50.5	40.5	21.6	18.9	10	12	150	25,00
S-050	M10	10.3	10.1	13	50.5	40.5	21.6	18.9	10	12	150	27,00
S-050	M12	12.8	10.1	13	50.5	40.5	21.6	18.9	10	12	150	27,00
S-070	M10	10.3	11.5	14.7	54.6	44.6	24.1	21.1	10	12	100	36,50
S-070	M12	12.8	11.5	14.7	54.6	44.6	24.1	21.1	10	12	100	36,50
S-095	M10	10.3	13.5	16.7	58.8	48.8	27.2	24.7	10	12	100	46,50
S-095	M12	12.8	13.5	16.7	58.8	48.8	27.2	24.7	10	12	100	46,50
S-120	M10	10.3	15.6	19	69	56	30.5	27.7	13	14.5	50	62,65
S-120	M12	12.8	15.6	19	69	56	30.5	27.7	13	14.5	50	63,75
S-120	M14	14.5	15.6	19	69	56	30.5	27.7	13	14.5	50	68,00
S-150	M12	12.8	16.5	21	76.5	60	31.5	30.4	16.5	16.5	40	97,00
S-150	M14	14.5	16.5	21	76.5	60	31.5	30.4	16.5	16.5	40	98,20
S-150	M16	16.5	16.5	21	76.5	60	31.5	30.4	16.5	16.5	40	100,00
S-185	M12	12.8	18.4	23	82.5	65.5	34.4	34.2	17	18	25	122,00
S-185	M14	14.5	18.4	23	82.5	65.5	34.4	34.2	17	18	25	122,00
S-185	M16	16.5	18.4	23	82.5	65.5	34.4	34.2	17	18	25	122,00



SIKMALI KABLO PABUÇLARI

STANDART TIP KABLO PABUCU

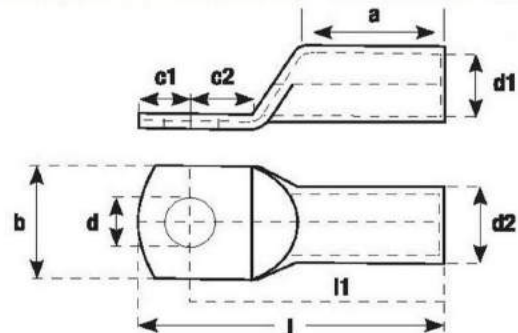
İMALATIMIZ

YERLİ
ÜRETİM

ÜRÜN KODU	KABLO KESİTİ (mm ²)	EBATLAR (mm)									AMBALAJ MİKTARI (KUTU)	FİYAT (TL / ADET)
		d	d1	d2	l	l1	a	b	c1	c2		
S-240	M12	12.8	21.2	26.4	89	72	39.1	38.7	17	18	20	162,50
S-240	M14	14.5	21.2	26.4	89	72	39.1	38.7	17	18	20	162,50
S-240	M16	16.5	21.2	26.4	89	72	39.1	38.7	17	18	20	162,50
S-300	M12	12.8	23.4	28.6	95	72	39.1	38.7	17	18	20	207,50
S-300	M14	14.5	23.4	28.6	95	72	39.1	38.7	17	18	20	207,50
S-300	M16	16.5	23.4	28.6	95	72	39.1	38.7	17	18	20	207,50
S-400	M12	12.8	26.8	32.8	104.7	79.8	39	48.3	24.8	22.2	10	265,00
S-400	M14	14.5	26.8	32.8	104.7	79.8	39	48.3	24.8	22.2	10	265,00
S-400	M16	16.5	26.8	32.8	104.7	79.8	39	48.3	24.8	22.2	10	265,00
S-400	M20	21	26.8	32.8	104.7	79.8	39	48.3	24.8	22.2	10	265,00
S-500	M12	12.8	29.8	38.4	115.5	93	49	54.9	25.2	22.2	10	488,00
S-500	M14	14.5	29.8	38.4	115.5	93	49	54.9	25.2	22.2	10	488,00
S-500	M16	16.5	29.8	38.4	115.5	93	49	54.9	25.2	22.2	10	488,00
S-500	M20	21	29.8	38.4	115.5	93	49	54.9	25.2	22.2	10	488,00
S-600	M12	12.8	34.6	44	133	110	61	63	23	23	6	840,00
S-600	M14	14.5	34.6	44	133	110	61	63	23	23	6	840,00
S-600	M16	16.5	34.6	44	133	110	61	63	23	23	6	840,00
S-600	M20	21	34.6	44	133	110	61	63	23	23	6	840,00

* EN 13600 STANDARTLARINDA VE SERTİFİKALI BAKIRDAN İMAL EDİLMİŞTİR.

* 3-6 MİCRON ARASINDA KALAY KAPLIDIR.



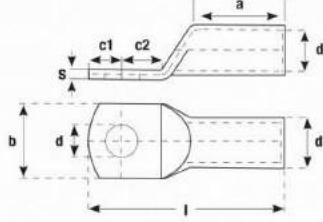
SIKMALI KABLO PABUÇLARI

EKONOMİK TİP KABLO PABUCU

İMALATIMIZ

YERLİ ÜRETİM

ÜRÜN KODU	KABLO KESİTİ (mm ²)	EBATLAR (mm)										AMBALAJ MIKTARI (KUTU)	FİYAT (TL / ADET)
		d	d1	d2	l	a	b	s	c1	c2			
E-016	M6	6.5	5.5	7	29.5	13	10	1.5	5.5	6.5	800	4,00	
E-016	M8	8.5	5.5	7	29.5	13	10	1.5	5.5	6.5	800	4,20	
E-025	M8	8.5	7	9	39	17.6	13	2	6.8	9.2	400	7,50	
E-035	M8	8.5	8.5	10.5	44	19.9	15.5	2	8.3	9.7	300	10,50	
E-035	M10	10.5	8.5	10.5	44	19.9	15.5	2	8.3	9.7	300	11,00	
E-050	M8	8.5	10	12	50.5	21.6	17.6	2	10	12	200	15,00	
E-050	M10	10.5	10	12	50.5	21.6	17.6	2	10	12	200	14,50	
E-070	M10	10.5	11.5	14	54.6	24.1	20.5	2.5	10	12	150	21,00	
E-070	M12	13	11.5	14	54.6	24.1	20.5	2.5	10	12	150	21,00	
E-095	M10	10.5	13.5	16	58.8	27.2	23.5	2.5	10	12	100	26,00	
E-095	M12	13	13.5	16	58.8	27.2	23.5	2.5	10	12	100	26,00	
E-120	M12	13	15.5	18	69	30.5	26.7	2.5	13	14.5	50	38,00	
E-150	M12	13	16.5	20	76.5	31.5	29.2	3.5	16.5	16.5	50	58,00	
E-150	M14	15	16.5	20	76.5	31.5	29.2	2.3	16.5	16.5	50	58,00	
E-185	M16	17	18.5	22	82.5	34.5	32.1	3.5	17	18	35	70,00	
E-240	M14	15	21.5	25.5	89	39.1	37.6	4	17	18	30	100,00	
E-240	M16	17	21.5	25.5	89	39.1	37.6	4	17	18	30	100,00	

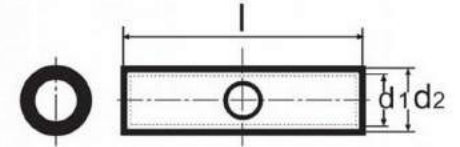


EK MUFLAR

İMALATIMIZ

YERLİ ÜRETİM

ÜRÜN KODU	EBATLAR (mm)			AMBALAJ MIKTARI (KUTU)	FİYAT (TL / ADET)
	d1	d2	l		
MEM-010	4.7	6.6	29	1000	5,20
MEM-016	5.6	7.8	31	800	7,60
MEM-025	7.1	9.5	40.5	350	14,20
MEM-035	8.2	10.8	45.5	250	20,50
MEM-050	10.1	13	52	200	27,50
MEM-070	11.5	14.7	56.1	125	38,00
MEM-095	13.5	16.7	60.3	50	48,00
MEM-120	15.6	19	70.5	50	65,00
MEM-150	16.5	21	79	50	100,00
MEM-185	18.4	23	85	25	125,00
MEM-240	21.2	26.4	91.5	20	165,00
MEM-300	23.4	28.6	98.5	15	210,00
MEM-400	26.8	32.8	108.5	10	275,00
MEM-500	29.8	38.4	120	5	500,00
MEM-600	34.5	44.7	137.6	5	880,00



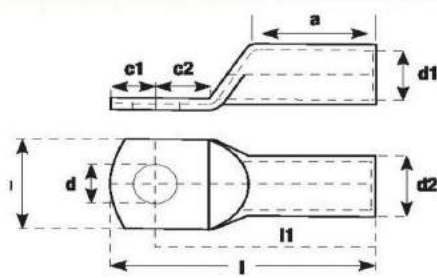
SIKMALI KABLO PABUÇLARI

EUROPE TİP SIKMALI KABLO PABUCU

İMALATIMIZ

YERLİ ÜRETİM

ÜRÜN KODU	KABLO KESİTİ (mm ²)	EBATLAR (mm)										AMBALAJ MİKTARI (KUTU)	FİYAT (TL / ADET)
		d	d1	d2	l	l1	a	b	c1	c2			
S1-006	M5	5.3	5.3	5.3	34.4	21.5	10	11.5	6.1	9	1000	5,50	
S1-010	M5	5.3	4.7	6.6	34.5	22	11.3	10.3	5.5	7	800	6,75	
S1-010	M6	6.4	4.7	6.6	34.5	22	11.3	10.3	5.5	7	800	6,75	
S1-010	M8	8.3	4.7	6.6	34.5	22	11.3	10.3	5.5	7	700	7,00	
S1-010	M10	10.3	4.7	6.6	34.5	22	11.3	10.3	5.5	7	700	8,00	
S1-016	M6	6.4	5.6	7.8	43.5	24	13	11.2	5.5	6.5	500	10,00	
S1-016	M8	8.3	5.6	7.8	46	24	13	11.2	5.5	6.5	500	10,20	
S1-016	M10	10.3	5.6	7.8	48	24	13	11.2	5.5	6.5	500	11,00	
S1-025	M8	8.3	7.1	9.5	48	32.2	17.6	13.7	6.8	9.2	300	18,25	
S1-025	M10	10.3	7.1	9.5	50	32.2	17.6	13.7	6.8	9.2	300	18,75	
S1-025	M12	12.8	7.1	9.5	51	32.2	17.6	13.7	6.8	9.2	300	19,55	
S1-035	M8	8.3	8.2	10.8	52	35.7	19.9	15.3	8.3	9.7	200	24,15	
S1-035	M10	10.3	8.2	10.8	54	35.7	19.9	15.3	8.3	9.7	200	27,15	
S1-035	M12	12.8	8.2	10.8	55	35.7	19.9	15.3	8.3	9.7	200	27,15	
S1-050	M8	8.3	10.1	13	62	40.5	21.6	18.9	10	12	150	33,75	
S1-050	M10	10.3	10.1	13	64	40.5	21.6	18.9	10	12	150	36,50	
S1-050	M12	12.8	10.1	13	66	40.5	21.6	18.9	10	12	150	36,50	
S1-070	M10	10.3	11.5	14.7	67	44.6	24.1	21.1	10	12	100	49,25	
S1-070	M12	12.8	11.5	14.7	69	44.6	24.1	21.1	10	12	100	49,25	
S1-095	M10	10.3	13.5	16.7	77	48.8	27.2	24.7	10	12	100	62,75	
S1-095	M12	12.8	13.5	16.7	79	48.8	27.2	24.7	10	12	100	62,75	
S1-120	M10	10.3	15.6	19	85	56	30.5	27.7	13	14.5	50	84,55	
S1-120	M12	12.8	15.6	19	86	56	30.5	27.7	13	14.5	50	86,10	
S1-120	M14	14.5	15.6	19	88	56	30.5	27.7	13	14.5	50	91,80	
S1-150	M12	12.8	16.5	21	94	60	31.5	30.4	16.5	16.5	40	131,00	
S1-150	M14	14.5	16.5	21	96	60	31.5	30.4	16.5	16.5	40	132,55	
S1-150	M16	16.5	16.5	21	98	60	31.5	30.4	16.5	16.5	40	135,00	
S1-150	M12	12.8	18.4	23	97	65.5	34.4	34.2	17	18	25	165,00	
S1-150	M14	14.5	18.4	23	99	65.5	34.4	34.2	17	18	25	165,00	
S1-150	M16	16.5	18.4	23	101	65.5	34.4	34.2	17	18	25	165,00	



SIKMALI KABLO PABUÇLARI

EUROPE TİP SIKMALI KABLO PABUCU

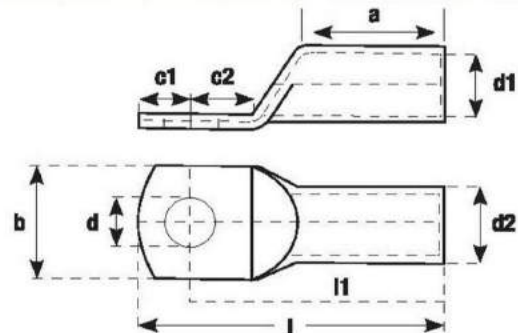
İMALATIMIZ

YERLİ
ÜRETİM

ÜRÜN KODU	KABLO KESİTİ (mm ²)	EBATLAR (mm)									AMBALAJ MİKTARI (KUTU)	FİYAT (TL / ADET)
		d	d1	d2	l	l1	a	b	c1	c2		
S1-240	M12	12.8	21.2	29	89	72	39.1	38.7	17	18	20	220,00
S1-240	M14	14.5	21.2	29	89	72	39.1	38.7	17	18	20	220,00
S1-240	M16	16.5	21.2	29	89	72	39.1	38.7	17	18	20	220,00
S1-300	M12	12.8	23.4	32	95	72	39.1	38.7	17	18	20	280,00
S1-300	M14	14.5	23.4	32	95	72	39.1	38.7	17	18	20	280,00
S1-300	M16	16.5	23.4	32	95	72	39.1	38.7	17	18	20	280,00
S1-400	M12	12.8	26.8	38	104.7	79.8	39	48.3	24.8	22.2	10	358,00
S1-400	M14	14.5	26.8	38	104.7	79.8	39	48.3	24.8	22.2	10	358,00
S1-400	M16	16.5	26.8	38	104.7	79.8	39	48.3	24.8	22.2	10	358,00
S1-400	M20	21	26.8	38	104.7	79.8	39	48.3	24.8	22.2	10	358,00
S1-500	M12	12.8	29.8	42	115.5	93	49	54.9	25.2	22.2	10	660,00
S1-500	M14	14.5	29.8	42	115.5	93	49	54.9	25.2	22.2	10	660,00
S1-500	M16	16.5	29.8	42	115.5	93	49	54.9	25.2	22.2	10	660,00
S1-500	M20	21	29.8	42	115.5	93	49	54.9	25.2	22.2	10	660,00
S1-600	M12	12.8	34.6	44	133	110	61	63	23	23	6	1135,00
S1-600	M14	14.5	34.6	44	133	110	61	63	23	23	6	1135,00
S1-600	M16	16.5	34.6	44	133	110	61	63	23	23	6	1135,00
S1-600	M20	21	34.6	44	133	110	61	63	23	23	6	1135,00

* EN 13600 STANDARTLARINDA VE SERTİFİKALI BAKIRDAN İMAL EDİLMİŞTİR.

* 3-6 MİCRON ARASINDA KALAY KAPLIDIR.



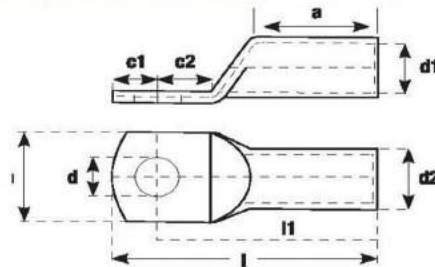
SIKMALI KABLO PABUÇLARI

DIN NORMU SIKMALI KABLO PABUCU

İMALATIMIZ

YERLİ
ÜRETİM

ÜRÜN KODU	KABLO KESİTİ (mm ²)	EBATLAR (mm)									AMBALAJ MİKTARI (KUTU)	FİYAT (TL / ADET)
		d	d1	d2	l	l1	a	b	c1	c2		
D-006	M5	5.3	5.3	6.6	34.4	21.5	10	11.5	6.1	9	1000	9,00
D-010	M5	5.3	4.7	7.0	34.5	22	11.3	10.3	5.5	7	800	12,00
D-010	M6	6.4	4.7	7.0	34.5	22	11.3	10.3	5.5	7	800	12,00
D-010	M8	8.3	4.7	7.0	34.5	22	11.3	10.3	5.5	7	700	12,30
D-010	M10	10.3	4.7	7.0	34.5	22	11.3	10.3	5.5	7	700	13,60
D-016	M6	6.4	5.6	8.2	43.5	24	13	11.2	5.5	6.5	500	16,80
D-016	M8	8.3	5.6	8.2	46	24	13	11.2	5.5	6.5	500	17,10
D-016	M10	10.3	5.6	8.2	48	24	13	11.2	5.5	6.5	500	17,40
D-025	M8	8.3	7.1	10	48	32.2	17.6	13.7	6.8	9.2	300	33,00
D-025	M10	10.3	7.1	10	50	32.2	17.6	13.7	6.8	9.2	300	32,80
D-025	M12	12.8	7.1	10	51	32.2	17.6	13.7	6.8	9.2	300	31,00
D-035	M8	8.3	8.2	12.5	52	35.7	19.9	15.3	8.3	9.7	200	39,80
D-035	M10	10.3	8.2	12.5	54	35.7	19.9	15.3	8.3	9.7	200	43,00
D-035	M12	12.8	8.2	12.5	55	35.7	19.9	15.3	8.3	9.7	200	43,00
D-050	M8	8.3	10.1	14.5	62	40.5	21.6	18.9	10	12	150	53,00
D-050	M10	10.3	10.1	14.5	64	40.5	21.6	18.9	10	12	150	57,00
D-050	M12	12.8	10.1	14.5	66	40.5	21.6	18.9	10	12	150	57,00
D-070	M10	10.3	11.5	16.5	67	44.6	24.1	21.1	10	12	100	77,00
D-070	M12	12.8	11.5	16.5	69	44.6	24.1	21.1	10	12	100	77,00
D-095	M10	10.3	13.5	19	77	48.8	27.2	24.7	10	12	100	98,00
D-095	M12	12.8	13.5	19	79	48.8	27.2	24.7	10	12	100	98,00
D-120	M10	10.3	15.6	21	85	56	30.5	27.7	13	14.5	50	140,00
D-120	M12	12.8	15.6	21	86	56	30.5	27.7	13	14.5	50	142,50
D-120	M14	14.5	15.6	21	88	56	30.5	27.7	13	14.5	50	146,00
D-150	M12	12.8	16.5	23	94	60	31.5	30.4	16.5	16.5	40	220,00
D-150	M14	14.5	16.5	23	96	60	31.5	30.4	16.5	16.5	40	218,40
D-150	M16	16.5	16.5	23	98	60	31.5	30.4	16.5	16.5	40	215,00
D-150	M12	12.8	18.4	25.5	97	65.5	34.4	34.2	17	18	25	265,00
D-150	M14	14.5	18.4	25.5	99	65.5	34.4	34.2	17	18	25	265,00
D-150	M16	16.5	18.4	25.5	101	65.5	34.4	34.2	17	18	25	262,00



SIKMALI KABLO PABUÇLARI

DIN NORMU SIKMALI KABLO PABUCU

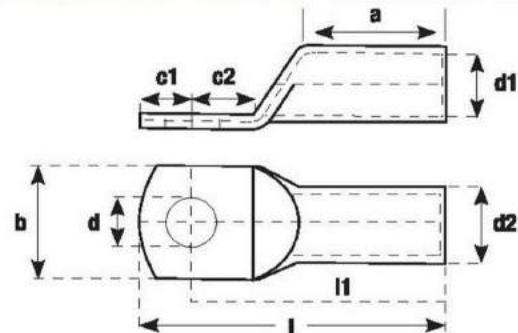
İMALATIMIZ

YERLİ
ÜRETİM

ÜRÜN KODU	KABLO KESİTİ (mm ²)	EBATLAR (mm)									AMBALAJ MİKTARI (KUTU)	FİYAT (TL / ADET)
		d	d1	d2	l	l1	a	b	c1	c2		
D-240	M12	12.8	21.2	29	89	72	39.1	38.7	17	18	20	350,00
D-240	M14	14.5	21.2	29	89	72	39.1	38.7	17	18	20	350,00
D-240	M16	16.5	21.2	29	89	72	39.1	38.7	17	18	20	350,00
D-300	M12	12.8	23.4	32	95	72	39.1	38.7	17	18	20	445,00
D-300	M14	14.5	23.4	32	95	72	39.1	38.7	17	18	20	445,00
D-300	M16	16.5	23.4	32	95	72	39.1	38.7	17	18	20	445,00
D-400	M12	12.8	26.8	38	104.7	79.8	39	48.3	24.8	22.2	10	570,00
D-400	M14	14.5	26.8	38	104.7	79.8	39	48.3	24.8	22.2	10	570,00
D-400	M16	16.5	26.8	38	104.7	79.8	39	48.3	24.8	22.2	10	570,00
D-400	M20	21	26.8	38	104.7	79.8	39	48.3	24.8	22.2	10	570,00
D-500	M12	12.8	29.8	42	115.5	93	49	54.9	25.2	22.2	10	1055,00
D-500	M14	14.5	29.8	42	115.5	93	49	54.9	25.2	22.2	10	1055,00
D-500	M16	16.5	29.8	42	115.5	93	49	54.9	25.2	22.2	10	1055,00
D-500	M20	21	29.8	42	115.5	93	49	54.9	25.2	22.2	10	1055,00
D-600	M12	12.8	34.6	44	133	110	61	63	23	23	6	1800,00
D-600	M14	14.5	34.6	44	133	110	61	63	23	23	6	1800,00
D-600	M16	16.5	34.6	44	133	110	61	63	23	23	6	1800,00
D-600	M20	21	34.6	44	133	110	61	63	23	23	6	1800,00

* EN 13600 STANDARTLARINDA VE SERTİFİKALI BAKIRDAN İMAL EDİLMİŞTİR.

* 3-6 MİCRON ARASINDA KALAY KAPLIDIR.



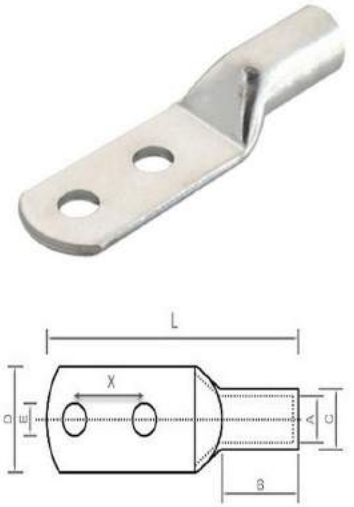
SIKMALI KABLO PABUÇLARI

İMALATIMIZ

YERLİ
ÜRETİM

ÇİFT DELİKLİ KABLO PABUCU

ÜRÜN KODU	KABLO KESİTİ (mm ²)	EBATLAR (mm)					AMBALAJ MİKTARI (KUTU)	FİYAT (TL / ADET)
		A	C	L	D	X		
Ç-MSKP-16/X-16	M6	5.6	7.8	53.0	12.0	16.0	100	17,50
Ç-MSKP-16/X-25	M6	5.6	7.8	63.0	12.0	25.0	100	17,90
Ç-MSKP-25/X-16	M8	7.1	9.5	54.0	14.0	16.0	80	32,80
Ç-MSKP-25/X-25	M8	7.1	9.5	63.0	14.0	25.0	80	33,50
Ç-MSKP-35/X-25	M8	8.2	10.8	71.0	18.0	25.0	80	43,20
Ç-MSKP-35/X-40	M8	8.2	10.8	86.0	18.0	40.0	80	44,00
Ç-MSKP-50/X-25	M8	10.1	13.0	69.0	21.0	25.0	50	57,00
Ç-MSKP-50/X-40	M8	10.1	13.0	84.0	21.0	40.0	50	57,80
Ç-MSKP-50/X-25	M10	10.1	13.0	75.0	21.0	25.0	50	57,80
Ç-MSKP-50/X-40	M10	10.1	13.0	90.0	21.0	40.0	50	58,90
Ç-MSKP-70/X-25	M10	11.5	14.7	82.0	23.0	25.0	40	77,00
Ç-MSKP-70/X-40	M10	11.5	14.7	97.0	23.0	40.0	40	78,20
Ç-MSKP-70/X-25	M12	11.5	14.7	76.0	23.0	25.0	40	77,50
Ç-MSKP-70/X-40	M12	11.5	14.7	91.0	23.0	40.0	40	78,90
Ç-MSKP-95/X-40	M10	13.5	16.7	102	26.0	40.0	25	98,00
Ç-MSKP-95/X-40	M12	13.5	16.7	102	26.0	40.0	25	100,00
Ç-MSKP-95/X-45	M12	13.5	16.7	107	26.0	45.0	25	100,00
Ç-MSKP-95/X-60	M12	13.5	16.7	122	26.0	60.0	25	102,00
Ç-MSKP-120/X-25	M12	15.6	19.0	87.0	28.0	25.0	25	148,00
Ç-MSKP-120/X-40	M12	15.6	19.0	102	28.0	40.0	25	151,00
Ç-MSKP-120/X-45	M12	15.6	19.0	107	28.0	45.0	25	152,00
Ç-MSKP-120/X-60	M12	15.6	19.0	122	28.0	60.0	25	154,00
Ç-MSKP-150/X-25	M12	16.5	21.0	90.0	31.0	25.0	25	220,00
Ç-MSKP-150/X-40	M12	16.5	21.0	105	31.0	40.0	25	227,00
Ç-MSKP-150/X-45	M12	16.5	21.0	110	31.0	45.0	25	227,00
Ç-MSKP-150/X-60	M12	16.5	21.0	125	31.0	60.0	25	235,00
Ç-MSKP-185/X-25	M12	18.4	23.0	96.0	35.0	25.0	20	275,00
Ç-MSKP-185/X-40	M12	18.4	23.0	111	35.0	40.0	20	285,00
Ç-MSKP-185/X-45	M12	18.4	23.0	116	35.0	45.0	20	289,00
Ç-MSKP-185/X-60	M12	18.4	23.0	131	35.0	60.0	20	299,00
Ç-MSKP-240/X-25	M12	21.2	26.4	97.0	38.0	25.0	12	350,00
Ç-MSKP-240/X-40	M12	21.2	26.4	112	38.0	40.0	12	360,00
Ç-MSKP-240/X-45	M12	21.2	26.4	117	38.0	45.0	12	365,00
Ç-MSKP-240/X-60	M12	21.2	26.4	132	38.0	60.0	12	378,00



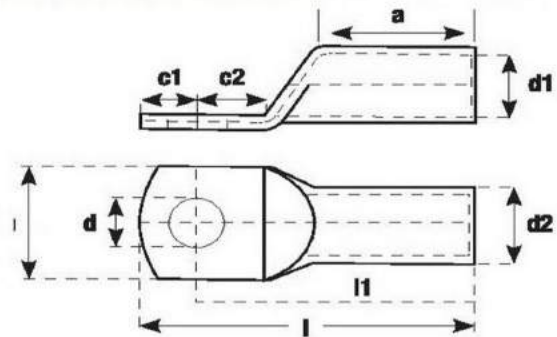
SIKMALI KABLO PABUÇLARI

DAR GİRİŞLİ KABLO PABUCU

İMALATIMIZ

YERLİ
ÜRETİM

ÜRÜN KODU	KABLO KESİTİ (mm ²)	EBATLAR (mm)									AMBALAJ MİKTARI (KUTU)	FİYAT (TL / ADET)
		d	d1	d2	l	l1	a	b	c1	c2		
DG-035	M6	6.4	8.2	10.8	44	35.7	19.9	15.3	8.3	9.7	200	45,00
DG-050	M6	6.4	10.1	13	50.5	40.5	21.6	18.9	10	12	150	58,90
DG-050	M8	8.3	10.1	13	50.5	40.5	21.6	18.9	10	12	150	61,50
DG-050	M10	10.3	10.1	13	50.5	40.5	21.6	18.9	10	12	150	64,90
DG-070	M8	8.3	11.5	14.7	54.6	44.6	24.1	21.1	10	12	100	77,00
DG-070	M10	10.3	11.5	14.7	54.6	44.6	24.1	21.1	10	12	100	80,00
DG-095	M8	8.3	13.5	16.7	58.8	48.8	27.2	24.7	10	12	100	100,00
DG-095	M10	10.3	13.5	16.7	58.8	48.8	27.2	24.7	10	12	100	109,00
DG-120	M8	8.3	15.6	19	69	56	30.5	27.7	13	14.5	50	155,00
DG-120	M10	10.3	15.6	19	69	56	30.5	27.7	13	14.5	50	163,00
DG-150	M8	8.3	16.5	21	76.5	60	31.5	30.4	16.5	16.5	40	235,00
DG-150	M10	10.3	16.5	21	76.5	60	31.5	30.4	16.5	16.5	40	235,00
DG-185	M10	10.3	18.4	23	82.5	65.5	34.4	34.2	17	18	25	299,99
DG-185	M12	12.8	18.4	23	82.5	65.5	34.4	34.2	17	18	25	299,99
DG-240	M12	12.8	10.1	13	50.5	40.5	21.6	18.9	10	12	20	350,00
DG-240	M14	14.5	10.1	13	50.5	40.5	21.6	18.9	10	12	20	350,00
DG-240	M16	16.5	10.1	13	50.5	40.5	21.6	18.9	10	12	20	350,00
DG-300	M12	12.8	10.1	13	50.5	40.5	21.6	18.9	10	12	20	450,00
DG-300	M14	14.5	10.1	13	50.5	40.5	21.6	18.9	10	12	20	450,00
DG-300	M16	16.5	10.1	13	50.5	40.5	21.6	18.9	10	12	20	450,00

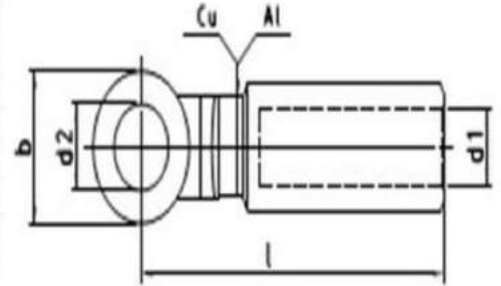


SIKMALI KABLO PABUÇLARI

BİMETAL (CU/AL) KABLO PABUCU



ÜRÜN KODU	KABLO KESİTİ (mm ²)	EBATLAR (mm)			AMBALAJ MİKTARI (KUTU)	FİYAT (TL / ADET)
		d1	l	b		
MB-16	M8	5,5	69,5	20	60	60,50
MB-16	M10	5,5	69,5	20	60	62,50
MB-25	M8	6,5	69,5	20	60	61,40
MB-25	M10	6,5	69,5	20	60	63,80
MB-35	M8	8,0	69,5	20	60	62,60
MB-35	M10	8,0	69,5	20	60	64,90
MB-50	M8	9,0	75,0	24	40	74,50
MB-50	M10	9,0	75,0	24	40	74,50
MB-70	M8	11,0	75,0	24	40	75,80
MB-70	M10	11,0	75,0	24	40	75,80
MB-95	M8	12,5	75,0	24	40	77,50
MB-95	M10	12,5	75,0	24	40	77,50
MB-120	M14	13,7	95,0	30	15	132,00
MB-120	M16	13,7	95,0	30	15	135,00
MB-150	M14	15,5	95,0	30	15	132,00
MB-150	M16	15,5	95,0	30	15	135,00
MB-185	M14	17,0	103,5	35	10	219,00
MB-185	M16	17,0	103,5	35	10	225,00
MB-240	M14	19,5	103,5	35	10	219,00
MB-240	M16	19,5	103,5	35	10	225,00
MB-300	M14	23,3	138,5	36	5	264,00
MB-300	M16	23,3	138,5	36	5	265,00
MB-400	M10	26,0	138,5	36	5	390,00
MB-400	M14	26,0	138,5	36	5	390,00
MB-500	M16	29,1	158,0	60	5	
MB-630	M16	32,5	158,0	60	5	



BİMETAL (CU/AL) EK-MUF



ÜRÜN KODU	EBATLAR (mm)							FİYAT (TL / ADET)
	L1	L2	L	D1	D2	D3	D4	
CU16-AL10	16	29	88	5,6	9,0	5,5	43	
CU16-AL16	16	29	88	5,6	12,2	5,5	43	
CU25-AL16	16	29	88	5,6	12,2	6,5	43	
CU25-AL25	16	29	88	7,0	12,2	6,5	43	
CU35-AL25	16	29	88	7,0	12,2	8	43	
CU35-AL35	20	29	90	8,0	12,2	8	43	
CU50-AL35	20	29	90	8,0	12,2	9	43	
CU50-AL50	20	29	90	9,5	12,2	9	43	
CU70-AL50	20	29	90	9,5	12,2	11	43	
CU70-AL70	20	29	90	11	12,2	11	43	

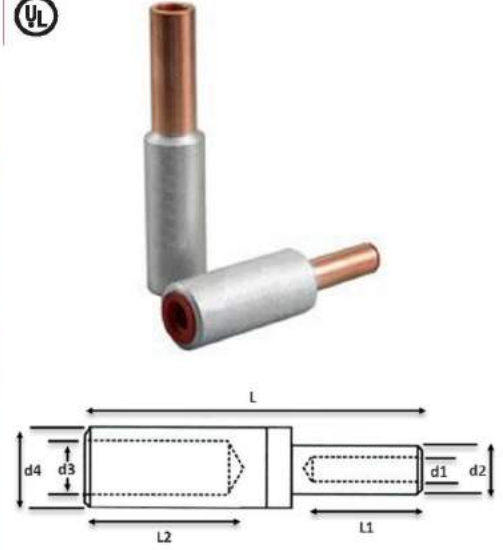


SIKMALI KABLO PABUÇLARI

BİMETAL (CU/AL) EK-MUF



ÜRÜN KODU	EBATLAR (mm)							FİYAT (TL / ADET)
	L1	L2	L	D1	D2	D3	D4	
CU95-AL70	20	33	90	21	11	12,5	43	
CU95-AL95	20	33	90	21	13	12,5	43	
CU120-AL95	25	33	107	21	13	13,7	59	
CU120-AL120	25	33	107	21	14,2	13,7	59	
CU150-AL120	25	33	107	21	14,2	15,5	59	
CU150-AL150	25	33	107	21	16	15,5	59	
CU185-AL150	32	33	107	26,2	16	17	59	
CU185-AL185	32	33	120	26,2	18	17	59	
CU240-AL185	32	43	120	26,2	18	19,5	59	
CU240-AL240	32	43	120	26,2	20	19,5	59	



45 DERECE SIKMALI KABLO PABUCU



İMALATIMIZ

ÜRÜN KODU	KABLO KESİTİ (mm ²)	EBATLAR (mm)							FİYAT (TL / ADET)
		5,6	7,8	6,5	12,0	13,0	5,5	12,0	
45D-16	M6	5,6	7,8	6,5	12,0	13,0	5,5	12,0	17,50
45D-25	M8	7,1	9,5	8,5	17,5	13,5	6,8	16,0	32,50
45D-35	M8	8,2	10,8	8,5	20,0	16,0	8,3	18,0	43,00
45D-50	M10	10,0	13,0	10,5	22,5	18,0	10,0	22,0	65,00
45D-70	M10	11,5	14,7	10,5	24,0	21,0	10,0	22,0	78,00
45D-95	M10	13,5	16,7	10,5	27,0	25,0	10,0	22,0	102,00
45D-120	M12	15,6	19,0	13,0	30,0	29,0	13,0	27,5	155,00
45D-150	M12	16,5	21,0	13,0	30,0	31,0	14,0	31,0	230,00
45D-185	M16	18,4	23,0	17,0	34,0	37,0	17,0	31,0	285,00
45D-240	M16	21,2	26,4	17,0	35,5	41,0	17,0	35,0	345,00

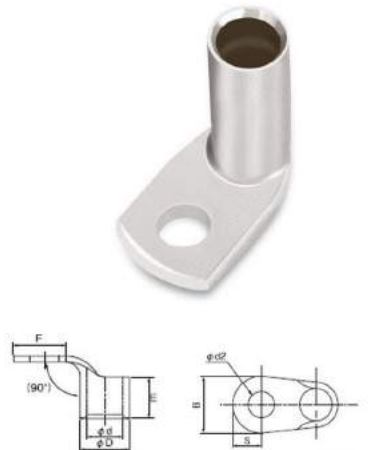


90 DERECE SIKMALI KABLO PABUCU



İMALATIMIZ

ÜRÜN KODU	KABLO KESİTİ (mm ²)	EBATLAR (mm)							FİYAT (TL / ADET)
		5,6	7,8	6,5	12,0	13,0	5,5	12,0	
90D-16	M6	5,6	7,8	6,5	12,0	13,0	5,5	12,0	17,50
90D-25	M8	7,1	9,5	8,5	17,5	13,5	6,8	16,0	32,50
90D-35	M8	8,2	10,8	8,5	20,0	16,0	8,3	18,0	43,00
90D-50	M10	10,0	13,0	10,5	22,5	18,0	10,0	22,0	65,00
90D-70	M10	11,5	14,7	10,5	24,0	21,0	10,0	22,0	78,00
90D-95	M10	13,5	16,7	10,5	27,0	25,0	10,0	22,0	102,00
90D-120	M12	15,6	19,0	13,0	30,0	29,0	13,0	27,5	155,00
90D-150	M12	16,5	21,0	13,0	30,0	31,0	14,0	31,0	230,00
90D-185	M16	18,4	23,0	17,0	34,0	37,0	17,0	31,0	285,00
90D-240	M16	21,2	26,4	17,0	35,5	41,0	17,0	35,0	345,00



AKÜLÜ SKP SIKMA PENSELERİ



AKÜLÜ 3 SET'Lİ PENSE

ÜRÜN KODU

EB-60UNV

SIKMA KUVVETİ

60 KN

VOLTAJ

18 V.

ŞARJ SÜRESİ

2 SAAT

FİYAT (\$)

5000



Kablo Kesme (mm)
Kapasitesi 40



SKP Sıkma (mm²)
10-16-25-35-50-70-95-120-
150-185-240-300



Panç Delik Delme (mm)
22,5 - 28,3 - 36,6 -
43,2 - 49,6 - 61,5

ÜRÜNE DAHİL AKSESUAR:



1 Adet şarj aleti, 1 Adet pil

Çene takımı (10 - 300 mm² 12 Takım Çene)

Yedek Parça:



Yedek Pil / Şarj Aleti 2500 TL



Yedek Çene takımı 250 TL



AKÜLÜ SKP SIKMA PENSELERİ



AKÜLÜ 2 SET'Lİ PENSE

ÜRÜN KODU	PZ-300 C
SIKMA KUVVETİ	60 KN
VOLTAJ	18 V.
ŞARJ SÜRESİ	2 SAAT
FİYAT (\$)	3700



Kablo Kesme (mm)
Kapasitesi 40



SKP Sıkma (mm²)
10-16-25-35-50-70-95-120-
150-185-240-300

ÜRÜNE DAHİL AKSESUAR:

- 1 Adet şarj aleti, 1 Adet pil
- Çene takımı (10 - 300 mm² 12 Takım Çene)

Yedek Parça:

- Yedek Pil / Şarj Aleti 1500 TL
- Yedek Çene takımı 250 TL



AKÜLÜ SKP SIKMA PENSELERİ



AKÜLÜ PABUÇ SIKMA PENSESİ

ÜRÜN KODU PZ-240

KAPASİTE (mm²) 10 - 240

SIKMA KUVVETİ 50 KN

VOLTAJ 18 V.

ŞARJ SÜRESİ 2 SAAT

FİYAT (\$) 3500

ÜRÜNE DAHİL AKSESUAR:

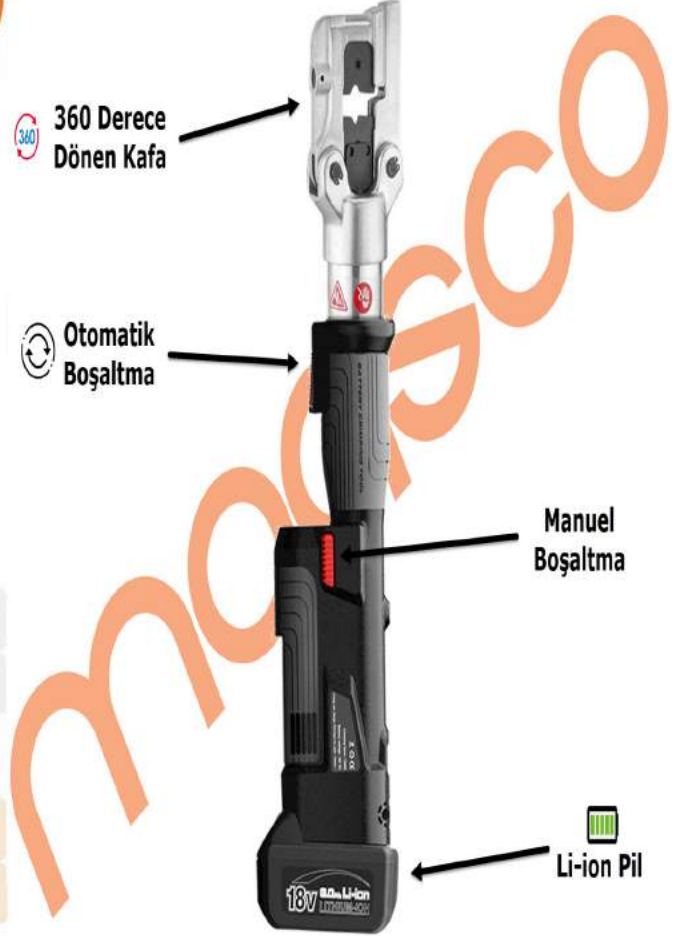
1 Adet şarj aleti, 1 Adet pil

 Çene takımı (10 - 240 mm² 11 Takım Çene)

Yedek Parça:

Yedek Pil / Şarj Aleti 2500 TL

Yedek Çene takımı 250 TL



AKÜLÜ PABUÇ SIKMA PENSESİ

ÜRÜN KODU EB-300

KAPASİTE (mm²) 10 - 300

SIKMA KUVVETİ 60 KN

VOLTAJ 18 V.

ŞARJ SÜRESİ 2 SAAT

FİYAT (\$) 3900

ÜRÜNE DAHİL AKSESUAR:

1 Adet şarj aleti, 1 Adet pil

 Çene takımı (10 - 300 mm² 12 Takım Çene)

Yedek Parça:

Yedek Pil / Şarj Aleti 2500 TL

Yedek Çene takımı 250 TL



AKÜLÜ SKP SIKMA PENSELERİ



AKÜLÜ PABUÇ SIKMA PENSESİ

ÜRÜN KODU PZ - 300

KAPASİTE (mm²) 10 - 300

SIKMA KUVVETİ 60 KN

VOLTAJ 18 V.

ŞARJ SÜRESİ 2 SAAT

FİYAT (\$) 3500

ÜRÜNE DAHİL AKSESUAR:

1 Adet şarj aleti, 1 Adet pil

 Çene takımı (10 - 300 mm² 12 Takım Çene)

Yedek Parça:

Yedek Pil / Şarj Aleti 1500 TL

Yedek Çene takımı 250 TL



AKÜLÜ PABUÇ SIKMA PENSESİ

ÜRÜN KODU EB - 400

KAPASİTE (mm²) 10 - 400

SIKMA KUVVETİ 120 KN

VOLTAJ 18 V.

ŞARJ SÜRESİ 2 SAAT

FİYAT (\$) 4400

ÜRÜNE DAHİL AKSESUAR:

1 Adet şarj aleti, 1 Adet pil

 Çene takımı (10 - 400 mm² 13 Takım Çene)

Yedek Parça:

Yedek Pil / Şarj Aleti 1500 TL

Yedek Çene takımı 250 TL





AKÜLÜ KABLO KESME MAKASLARI



AKÜLÜ KABLO KESME MAKASI

ÜRÜN KODU	EZ - 45	EZ - 85
KAPASİTE (mm ²)	Ø 45 3x120x70	Ø 85 3x240x120
SIKMA KUVVETİ	60 KN	60 KN
VOLTAJ	18 V.	18 V.
ŞARJ SÜRESİ	2 SAAT	2 SAAT
FİYAT (\$)	3300	3700

 Yedek Çene 150 \$

 Yedek Pil 2500 TL



AKÜLÜ KABLO KESME MAKASI

ÜRÜN KODU	EZ - 20
SIKMA KUVVETİ	50 KN
UZUNLUK (mm)	116x75x382
AĞIRLIK (Kg)	2.90
FİYAT (\$)	3100

 Yedek Çene 150 \$

 Yedek Pil 2500 TL

Çelik Halat	20 mm
Demir Çubuk	13 mm
Demir	14 mm
Bakır Tel	20 mm
Alüminyum Tel	20 mm
Zırlıklı Kablo	20 mm
Çelik Özlü Alüminyum İletkenler - ACSR	21 mm
Çelik Tel	20 mm




AKÜLÜ KABLO KESME MAKASLARI



AKÜLÜ KABLO KESME MAKASI

ÜRÜN KODU	EB-65C	EB-85C
KAPASİTE (mm ²)	Ø 65 3x150+95	Ø 85 3x240+120
SIKMA KUVVETİ	60 KN	60 KN
VOLTAJ	18 V.	18 V.
ŞARJ SÜRESİ	2 SAAT	2 SAAT
FİYAT (\$)	4300	4500


 Yedek Çene 150 \$

 Yedek Pil 1500 TL



AKÜLÜ KABLO KESME MAKASI

ÜRÜN KODU	EB-105C
KAPASİTE (mm ²)	Ø 105 3x300+185
SIKMA KUVVETİ	120 KN
VOLTAJ	18 V.
ŞARJ SÜRESİ	2 SAAT
FİYAT (\$)	4800

 Yedek Çene 150 \$

 Yedek Pil 1500 TL



HİDROLİK SKP SIKMA PENSELERİ

HİDROLİK PABUÇ SIKMA - KABLO KESME
PANÇ DELME 3'Ü BİR ARADA

ÜRÜN KODU HZ-60UNV

KAPASİTE (mm²) 16-300

SIKMA KUVVETİ 60 KN

UZUNLUK (mm) 540

AĞIRLIK (Kg) 3.5

FİYAT (\$) 1650

SKP Sıkma (mm²)
16-25-35-50-70-95-120-150-185-240-300Kablo Kesme (mm)
Kapasitesi 40Panç Delik Delme (mm)
22.5 - 28.3 - 36.6 - 43.2 - 49.6 - 61.5

Yedek Çene 80 TL

HİDROLİK PABUÇ SIKMA PENSESİ

ÜRÜN KODU HZ-300 HZ-400

KAPASİTE (mm²) 16 - 300 16 - 400

SIKMA KUVVETİ 60 KN 120 KN

UZUNLUK (mm) 460 540

AĞIRLIK (Kg) 3.3 6.3

FİYAT (\$) 1050 1300



ÜRÜNE DAHİL AKSESUAR:

 Çene takımı (10 - 400 mm² 13 Takım Çene)

Metal Çanta

HİDROLİK SKP SIKMA PENSELERİ

HİDROLİK PABUÇ SIKMA PENSESİ

ÜRÜN KODU HZ-400U

KAPASİTE (mm²) 16 - 400

SIKMA KUVVETİ 120 KN


UZUNLUK (mm) 520


AĞIRLIK (Kg) 5.3

FİYAT (\$) 1200



ÜRÜNE DAHİL AKSESUAR:

 Çene takımı (10 - 400 mm² 13 Takım Çene)

 Metal Çanta

HİDROLİK PABUÇ SIKMA PENSESİ

ÜRÜN KODU CYO-400C

KAPASİTE (mm²) 16 - 400


SIKMA KUVVETİ 126 KN

UZUNLUK (mm) 585

AĞIRLIK (Kg) 6.8

FİYAT (\$) 1000


 Çene takımı (16 - 400 mm² 13 Takım Çene)

 Metal Çanta

HİDROLİK PABUÇ SIKMA PENSESİ

ÜRÜN KODU KDG-200

KAPASİTE (mm²) 16 - 200

SIKMA KUVVETİ 100 KN

AĞIRLIK (Kg) 4.8

FİYAT (\$) 450



HİDROLİK SKP SIKMA PENSELERİ

HİDROLİK PABUÇ SIKMA PENSESİ

ÜRÜN KODU	YQK-70	YYQ-120A
KAPASİTE (mm ²)	4 - 70	10 - 120
SIKMA KUVVETİ	45 KN	60 KN
UZUNLUK (mm)	310	425
AĞIRLIK (Kg)	1.8	4
FİYAT (\$)	140	160

 Yedek Çene 250 TL



HİDROLİK PABUÇ SIKMA PENSESİ


ÜRÜN KODU	YYQ-120	YQK-240	YQK-300
KAPASİTE (mm ²)	10 - 120	10 - 240	10 - 300
SIKMA KUVVETİ	60 KN	100 KN	100 KN
UZUNLUK (mm)	425	480	500
AĞIRLIK (Kg)	3.20	3.60	3.60
FİYAT (\$)	140	150	150

 Yedek Çene 250 TL



HİDROLİK PABUÇ SIKMA PENSESİ

ÜRÜN KODU	KYQ-300
KAPASİTE (mm ²)	16 - 300
SIKMA KUVVETİ	100 KN
UZUNLUK (mm)	500
AĞIRLIK (Kg)	4.60
FİYAT (\$)	450

 Yedek Çene 450 TL



PNOMATİK SIKMA PENSELERİ

KABLO PABUCU SIKMA PENSESİ

ÜRÜN KODU	AM-70
SIKMA KUVVETİ	2 TON
UZUNLUK (mm)	260x120x140
AĞIRLIK (Kg)	18.0
FİYAT (\$)	2500

KABLO PABUCU SIKMA PENSESİ

ÜRÜN KODU	AM-240
SIKMA KUVVETİ	8 TON
UZUNLUK (mm)	260x120x140
AĞIRLIK (Kg)	20.0
FİYAT (\$)	3000



HİDROLİK PABUÇ SIKMA PENSESİ


ÜRÜN KODU	KYQ-300 C
KAPASİTE (mm ²)	16 - 300
SIKMA KUVVETİ	100 KN
UZUNLUK (mm)	500
AĞIRLIK (Kg)	4.60
FİYAT (\$)	450

 Yedek Çene 450 TL



HİDROLİK MAKASLAR

ÜRÜN KODU	THC-20	Çelik Halat	20 mm
SIKMA KUVVETİ	60 KN	Demir Çubuk	13 mm
UZUNLUK (mm)	370	Demir	14 mm
AĞIRLIK (Kg)	2.90	Bakır Tel	20 mm
FİYAT (\$)	850	Alüminyum Tel	20 mm
		Zırhlı Kablo	20 mm
		Çelik Özlü Alüminyum iletkenler - ACSR	21 mm
		Çelik Tel	20 mm

 Yedek Çene 75 \$



HİDROLİK KABLO KESME MAKASI

ÜRÜN KODU	CPC-22A
KAPASİTE (mm ²)	Çelik Çubuk Φ 4 - Φ 22
SIKMA KUVVETİ	60 KN
AĞIRLIK (Kg)	4.80
FİYAT (\$)	200



Pnömatik Kablo Ucu Sıkma Pensesi

ÜRÜN KODU	UZUNLUK (mm)	AĞIRLIK (Kg)	HAVA BASINCI	FİYAT (\$)
AM-10	260 x 120 x 140	4.0	0.4 - 1 MPa	1000

AM - 10

PNÖMATİK SIKMA



HİDROLİK MAKASLAR

ÜRÜN KODU	CPC-40BL	CPC-40A
KAPASİTE (mm)	Çelik Tel Φ 28 ACSR Φ 40	Zirhlı Kablo Φ 28 Telefon Kablo Φ 45
SIKMA KUVVETİ	60 KN	60 KN
AĞIRLIK (Kg)	5.60	5.60
FİYAT (\$)	800	400
 Yedek Çene 75 \$		
 Metal Çanta		



HİDROLİK KABLO KESME MAKASI

ÜRÜN KODU	CPC-50A
KAPASİTE (mm)	Telefon Kablo Φ 50 Zirhlı Kablo Φ 45
SIKMA KUVVETİ	60 KN
AĞIRLIK (Kg)	7.10
FİYAT (\$)	460
 Yedek Çene 75 \$	
 Metal Çanta	



HİDROLİK KABLO KESME MAKASI

ÜRÜN KODU	HZ-45	HZ-85
KAPASİTE (mm ²)	Φ 45 3x120+70	Φ 85 3x240+120
SIKMA KUVVETİ	60 KN	60 KN
AĞIRLIK (Kg)	4.80	7.60
FİYAT (\$)	1100	1550
 Yedek Çene 150 \$		
 Metal Çanta		



HİDROLİK PANÇLAR

PANÇ DELME

ÜRÜN KODU WK-8

KAPASİTE (mm²) 22.5 - 61.5

SIKMA KUVVETİ 70 KN

AĞIRLIK (Kg) 3.30

FİYAT (\$) 550



ÜRÜN KODU TP-8C

KAPASİTE (mm²) 22.5 - 61.5

SIKMA KUVVETİ 66 KN

AĞIRLIK (Kg) 2.70

FİYAT (\$) 500



ÜRÜN KODU SYK-8B

KAPASİTE (mm²) 22.5 - 61.5

SIKMA KUVVETİ 150 KN

FİYAT (\$) 600



KARE PATLATMA PANÇ

ÜRÜN KODU

DELİK ÇAP (mm)

DELME KALINLIĞI (mm)

FİYAT / ADET (\$)

PANÇ

15,9 X 15,9

3,5

75

PANÇ

19,1 X 19,1

3,5

90

PANÇ

32 X 32

3,5

150

PANÇ

45 X 45

3,5

210

PANÇ

68 X 68

3,5

325

PANÇ

92 X 92

3,5

440

PANÇ

104,8 X 104,8

3,5


500



ELEKTRİKLİ POMPALAR

ELEKTRİKLİ POMPA


ÜRÜN KODU	TEP - 700B
MOTOR VOLTAJI	AC 220V / 50HZ
Güç (Kw)	0.4
ÇIKIŞ BASINCI	0.23 L/dk - 1.3 L/Dk.
UZUNLUK (mm)	230X155X306
AĞIRLIK (Kg)	8.5
FİYAT (\$)	2500

 Metal Çanta



ELEKTRİKLİ POMPA

ÜRÜN KODU	ZCB6 - 6
MOTOR VOLTAJI	220V / 380V
Güç (Kw)	0.75
ÇIKIŞ BASINCI	0.5 L/dk - 5.0 L/Dk.
UZUNLUK (mm)	370X165X320
AĞIRLIK (Kg)	20.0
FİYAT (\$)	2650

 Metal Çanta



18V PİL İLE ÇALIŞAN TAŞINABİLİR POMPA

ÜRÜN KODU	EB-700
GÜÇ (W)	490 W
SIKMA KUVVETİ	700 Bar
PİL KAPASİTESİ	5.0 AH Li-ion 18V
AĞIRLIK (Kg)	5,9 KG
FİYAT (\$)	4000



HİDROLİK POMPALAR

HİDROLİK POMPA

ÜRÜN KODU CP - 390

ÇIKIŞ BASINCI 2 - 70 MPa

KAPASİTE (mm²) 16 - 300

UZUNLUK (mm) 400x105x155

AĞIRLIK (Kg) 7

FİYAT (\$) 1000



ÜRÜN KODU CP-700B

ÇIKIŞ BASINCI 2 - 70 MPa

UZUNLUK (mm) 510 x 150 x 200

AĞIRLIK (Kg) 12.5

FİYAT (\$) 650



Yedek 2 mt. Hortum 35 \$ Metal Çanta

ÜRÜN KODU TFP-800

ÇIKIŞ BASINCI 2 - 70 MPa

UZUNLUK (mm) 540 x 150 x 200

AĞIRLIK (Kg) 9.0

FİYAT / ADET (\$) 800



Yedek 2 mt. Hortum 35 \$ Metal Çanta

ÜRÜN KODU CFP-800

ÇIKIŞ BASINCI 2 - 70 MPa

UZUNLUK (mm) 540 x 150 x 200

AĞIRLIK (Kg) 8.0

FİYAT / ADET (\$) 750




Yedek 2 mt. Hortum 35 \$

Metal Çanta

HİDROLİK BARA DELME - KESME

HİDROLİK POMPA

ÜRÜN KODU	CP-700AL
ÇIKIŞ BASINCI	2 - 70 MPa
UZUNLUK (mm)	510x140x150
AĞIRLIK (Kg)	9.0
FİYAT (\$)	600

 Yedek 2 mt. Hortum 35 \$



BARA DELME KAFASI

ÜRÜN KODU	CH - 60
ÇENELER	Ø 10,5 - Ø 13,8 - Ø 17 - Ø 20,5
DELME KALINLIĞI	10
AĞIRLIK (Kg)	16.90
DELME KUVVETİ	300 KN
FİYAT (\$)	1050



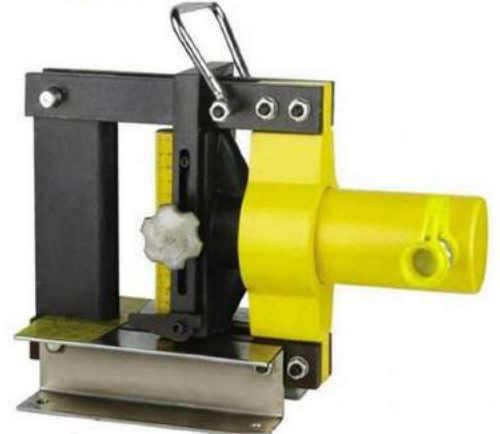
BARA KESME KAFASI

ÜRÜN KODU	CWC - 200
BARA KALINLIĞI (mm)	12
AĞIRLIK (Kg)	32.50
KESME KUVVETİ	200 KN
FİYAT (\$)	1050



BARA BÜKME KAFASI

ÜRÜN KODU	CB - 150 D
BARA KALINLIĞI (mm)	10
AĞIRLIK (Kg)	19.20
EĞME KUVVETİ	160 KN
FİYAT (\$)	1100



HİDROLİK PABUÇ SIKMA KAFALARI

HİDROLİK KAFALAR

ÜRÜN KODU SHP-510H

SIKMA KUVVETİ 120 KN

KAPASİTE (mm²) 50 - 400

AĞIRLIK (Kg) 3.90

FİYAT (\$) 580

Yedek Çene 350 TL

ÜRÜN KODU CO-400B

KAPASİTE (mm²) 16 - 400

SIKMA KUVVETİ 155 KN

AĞIRLIK (Kg) 6.5

FİYAT (\$) 460

Yedek Çene 350 TL

ÜRÜN KODU FHT-400U

SIKMA KUVVETİ 120 KN

KAPASİTE (mm²) 16 -400

AĞIRLIK (Kg) 3.90

FİYAT (\$) 550

Yedek Çene 350 TL

ÜRÜN KODU FYQ-630

KAPASİTE (mm²) 150 - 630

SIKMA KUVVETİ 316 KN

AĞIRLIK (Kg) 15.4

FİYAT (\$) 1280

ÜRÜN KODU FYQ-1000

KAPASİTE (mm²) 400 - 1000

SIKMA KUVVETİ 495 KN

AĞIRLIK (Kg) 27,3

FİYAT (\$) 2500

Yedek Çene 500 TL



HİDROLİK KESME KAFALARI

HİDROLİK KAFALAR

ÜRÜN KODU	FHT-60UNV
KESME KUVVETİ	42 KN
UZUNLUK (mm)	540
AĞIRLIK (Kg)	3.50
FİYAT (\$)	1100



Papuç Sıkma: 16-25-35-50-70-95
120-150-185-240-300 mm²

Kablo Kesme Kapasitesi: 45 mm

Panç Delik Delme:
22.5-28.3-36.6-43.2-49.6-61.5 mm



ÜRÜN KODU	CPC-50B	CPC-65C
SIKMA KUVVETİ	60 KN	60 KN
UZUNLUK (mm)	340	340
AĞIRLIK (Kg)	6,2	6,2
FİYAT (\$)	550	800



ÜRÜN KODU	CPC-85C	CPC-105C
SIKMA KUVVETİ	60 KN	60 KN
UZUNLUK (mm)	370	370
AĞIRLIK (Kg)	6,7	7,2
FİYAT (\$)	930	1150

 Yedek Çene 75 \$  Metal Çanta



ÜRÜN KODU	CPC-85B	CPC-100B
SIKMA KUVVETİ	60 KN	60 KN
UZUNLUK (mm)	465	515
AĞIRLIK (Kg)	7.90	8.40
FİYAT (\$)	800	950

 Yedek Çene 150 \$

 Metal Çanta



CIRCIRLI KABLO KESME MAKASLARI

KESME MAKASLARI

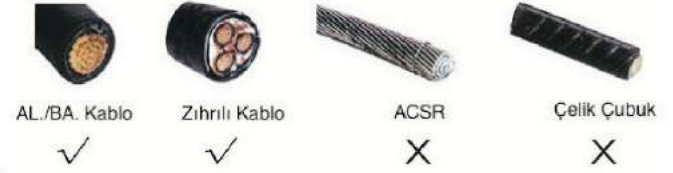
ÜRÜN KODU **TCR-101**

KAPASİTE (mm) **Ø 90**

UZUNLUK (mm) **480**

AĞIRLIK (Kg) **6.5**

FİYAT / ADET (\$) **800**



ÜRÜN KODU **ZC-120A**

KAPASİTE (mm) **Ø 120**

UZUNLUK (mm) **555**

AĞIRLIK (Kg) **7.0**

FİYAT / ADET (\$) **900**



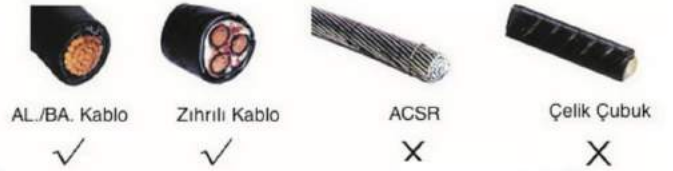
ÜRÜN KODU **ZC-G40A**

KAPASİTE (mm) **Çelik Zıhlı Kablo: Ø 20
Çekirdekli Kablo : Ø 36**

UZUNLUK (mm) **440**

AĞIRLIK (Kg) **3.6**

FİYAT / ADET (\$) **580**



ÜRÜN KODU **ZC-G32A**

KAPASİTE (mm) **Çelik Tel : 100
Çelik Özlü Alüminyum : 600
Çelik Damarlı Kablo : 32**

UZUNLUK (mm) **350**

AĞIRLIK (Kg) **2.0**

FİYAT / ADET (\$) **460**



MEKANİK PABUÇ SIKMA PENSELERİ


PABUÇ SIKMA PENSESİ

ÜRÜN KODU	KH-230
KAPASİTE (mm ²)	10 - 240
AĞIRLIK (Kg)	4
UZUNLUK (mm)	780
FİYAT / ADET (\$)	400



ÜRÜN KODU	JT - 150
KAPASİTE (mm ²)	10 - 150
AĞIRLIK (Kg)	4
FİYAT / ADET (\$)	350




 Yedek Çene 80 TL

 Plastik Çanta

ÜRÜN KODU	JT-300
KAPASİTE (mm ²)	16 - 300
AĞIRLIK (Kg)	4
FİYAT / ADET (\$)	500



 Yedek Çene 80 TL

 Plastik Çanta

ÜRÜN KODU	JY-0650A	JY-06120	JY-25150	JY-70240
KAPASİTE (mm ²)	6 - 50	6 - 120	25 - 150	70 - 240
UZUNLUK (mm)	380	650	650	670
AĞIRLIK (Kg)	1.50	3.80	3.80	4.00
FİYAT (\$)	75	165	170	180



KABLO KESME MAKASLARI



ÜRÜN KODU	TCR-325	TCR-500S
KAPASİTE (mm)	36 - 300	60 - 500
UZUNLUK (mm)	260	320
AĞIRLIK (Kg)	0.60	0.80
FİYAT (\$)	200	310



ÜRÜN KODU	TC-125S	TC - 250 S
KAPASİTE (mm ²)	120	240
UZUNLUK (mm)	300	415
AĞIRLIK (Kg)	1.25	2.30
FİYAT (\$)	150	170

ÜRÜN KODU	TC-100	TC-250	TC-250B	TC-500	TC-500B
KAPASİTE (mm ²)	120	240	20 mm Çelik Özlü Alüm.	500	40 mm Çelik Özlü Alüm.
UZUNLUK (mm)	320	600	600	810	780
AĞIRLIK (Kg)	0.70	1.80	1.70	1.25	2.80
FİYAT (\$)	65	150	200	235	300



ÜRÜN KODU	HS-125	LK-250	LK-500
KAPASİTE (mm ²)	125	240	500
UZUNLUK (mm)	320	600	780
AĞIRLIK (Kg)	0.7	1.8	2.8
FİYAT (\$)	65	110	170



ÜRÜN KODU	880-330A
KAPASİTE (mm ²)	50
FİYAT (\$)	43



ÜRÜN KODU	CC-60
KAPASİTE (mm ²)	50
FİYAT (\$)	40



YÜKSÜK SIKMA PENSELERİ

0.5-6 mm² Yüksük ve İzole Kablo Ucu Sıkma Pensesi

ÜRÜN KODU FSB-056 GT

FİYAT (\$) 110

0.25-10 mm² Yüksük Sıkma Pensesi

ÜRÜN KODU YAC-8

FİYAT (\$) 82

0.5-6 mm² Yüksük Sıkma Pensesi

ÜRÜN KODU YAC-9

FİYAT (\$) 95

0.5-6 mm² Yüksük Sıkma Pensesi

ÜRÜN KODU YYT B-4

FİYAT (\$) 65

6-16 mm² Yüksük Sıkma Pensesi

ÜRÜN KODU YAC-6

FİYAT (\$) 65

0.5-6 mm² Çift Yüksük Sıkma Pensesi

ÜRÜN KODU HS-26TW

FİYAT (\$) 65

25-50 mm² Yüksük Sıkma Pensesi

ÜRÜN KODU AN-50WF

FİYAT (\$) 75

0.5-16 mm² Yüksük Sıkma Pensesi

ÜRÜN KODU NWS-16

FİYAT (\$) 35

0.10-35 mm² Yüksük Sıkma Pensesi

ÜRÜN KODU AN-35WF

FİYAT (\$) 76

4-16 mm² Yüksük Sıkma Pensesi

ÜRÜN KODU HSC8 16-4

FİYAT (\$) 90



YÜKSÜK SIKMA PENSELERİ

0.5-2.5 mm² İzoleli Kablo Ucu Sıkma Pensesi

ÜRÜN KODU YYT-1

FİYAT (\$) 60

0.5-6 mm² İzoleli Kablo Ucu Sıkma Pensesi

ÜRÜN KODU YYT-7

FİYAT (\$) 65

0.08-2.5 mm² İzolesiz Terminal Sıkma Pensesi

ÜRÜN KODU YYT-20

FİYAT (\$) 35

0.5-6 mm² İzolesiz Terminal Sıkma Pensesi

ÜRÜN KODU YYT-11

FİYAT (\$) 65



0.5-10 mm Sıkmalı Kablo Pabucu Sıkma Pensesi

ÜRÜN KODU AN-004

FİYAT (\$) 65

0.08-2.5 mm² İzolesiz Terminal Sıkma Pensesi

ÜRÜN KODU HD-1102

FİYAT (\$) 65

0.5-2.5 mm² İzoleli Kablo Ucu Sıkma Pensesi

ÜRÜN KODU YYT-22

FİYAT (\$) 30

35 mm² Kablo Kesme Makası

ÜRÜN KODU DR-310A

FİYAT (\$) 30

0.5-6 mm² İzole Sıkma & Kablo Sıyırma

ÜRÜN KODU HS-700S

FİYAT (\$) 38

0.5-6 mm² İzole Sıkma & Kablo Sıyırma

ÜRÜN KODU HS-700C

FİYAT (\$) 28



PABUÇ SIKMA EL-PENSELERİ

6-50 mm² SKP Pabuç Sıkma Pensesi

ÜRÜN KODU HD-50L

FİYAT (\$) 85

6-25 mm² SKP Pabuç Sıkma Pensesi

ÜRÜN KODU MH-22

FİYAT (\$) 80

1.5-16 mm² SKP Pabuç Sıkma Pensesi

ÜRÜN KODU T-16

FİYAT (\$) 75

1.5-10 mm² SKP Pabuç Sıkma Pensesi

ÜRÜN KODU HD-10L

FİYAT (\$) 65

6-25 mm² SKP Pabuç Sıkma Pensesi

ÜRÜN KODU HX-26B

FİYAT (\$) 80

0.5-10 mm² SKP Pabuç Sıkma Pensesi

ÜRÜN KODU AN-005

FİYAT (\$) 65



BNC-YNC Konnektör Sıkma Pensesi

ÜRÜN KODU AP-005H

FİYAT (\$) 65

1.5-06 mm² SKP Pabuç Sıkma Pensesi

ÜRÜN KODU HD-10L

FİYAT (\$) 65



ÜRÜN KODU T-007A

FİYAT (\$) 130



TAKIM İÇERİĞİ	SIKMA KAPASİTE (mm ²)
AN-10	1.5 - 6
AN03B	1.0 - 4
AN-04WF	1.0 - 6
AN-16WF	6 - 16
AN-03C	0.5 - 6

FİYAT (\$) 140

KABLO SOYMA PENSELERİ



Φ15-Φ30 Kablo Soyma Pensesi

ÜRÜN KODU

SK-30

FİYAT (\$)

135



Φ15-Φ40 XLPE Sıyırma Pensesi

ÜRÜN KODU

BX-40

FİYAT (\$)

650

0.5-6mm² Kablo Sıyırma Pensesi

ÜRÜN KODU

HS-700B

FİYAT (\$)

35

4.6-20 mm² Metal Kablo Bağı
Sıkma Pensesi

ÜRÜN KODU

LQA-001

FİYAT (\$)

200



Φ15-Φ40 XLPE Sıyırma Pensesi

ÜRÜN KODU

SK-40

FİYAT (\$)

400

0.5-6mm² Kablo Sıyırma Pensesi

ÜRÜN KODU

HS-700D

FİYAT (\$)

25



6P/8P Girişli Konnektör Sıkma

ÜRÜN KODU

HT-86

FİYAT (\$)

33



4P/6P/8P Girişli Konnektör Sıkma

ÜRÜN KODU

HT-2008R

FİYAT (\$)

40

2.5-4.8 mm Kablo Bağı
Sıkma Pensesi

ÜRÜN KODU

HS-600

FİYAT (\$)

50

ISI İLE DARALAN MAKARON



KESİT mm	Daralmadan Sonra (mm)		RULO METRAJİ mt	FİYAT USD / MT		
	İÇ ÇAP	ET KALINLIK		SİYAH	SARI-YEŞİL	DİĞER RENKLER
1,5	0,85	0,32	200	0,097		
2,0	1,00	0,35	200	0,115		
2,5	1,30	0,38	200	0,150	0,420	0,170
3,0	1,50	0,40	200	0,160	0,430	
3,5	1,80	0,42	200	0,170		0,210
4,0	2,00	0,45	200	0,200		
4,5	2,30	0,50	100	0,230		
4,8	2,40	0,53	100	0,230	0,440	0,270
5,0	2,50	0,55	100	0,250		
6,0	3,00	0,55	100	0,290		
6,4	3,20	0,55	100	0,290	0,500	0,330
7,0	3,50	0,55	100	0,350		
8,0	4,00	0,60	100	0,350		
10,0	5,00	0,60	100	0,390	0,680	0,390
12,0	6,40	0,65	100	0,450		
12,7	6,40	0,65	100	0,450		
13,0	6,50	0,65	100	0,480	1,000	0,550
14,0	7,00	0,65	100	0,550		
16,0	8,00	0,70	100	0,750	1,450	0,850
18,0	9,00	0,80	100	0,980		
20,0	10,00	0,80	100	1,250	1,900	1,500
22,0	11,00	0,80	100	1,550		
25,0	12,50	0,90	50	1,650	2,750	1,900
30,0	15,00	0,95	50	2,150	3,700	2,400
35,0	17,50	1,00	50	2,700		
40,0	20,00	1,00	50	3,000	5,000	3,600
50,0	25,00	1,00	25	3,800	7,000	4,200
60,0	31,00	1,30	25	5,100	10,00	5,800
70,0	36,00	1,30	25	6,800		
80,0	41,00	1,46	25	7,500	15,00	8,000
90,0	46,00	1,46	25	8,500		
100,0	51,00	1,46	25	9,500	23,00	11,00
120,0	61,00	1,56	25	13,00		
150,0	76,00	1,56	25	19,00		
180,0	91,00	1,56	25	27,00		



Özellikler

- Esnek
- Halojen Free - Alev Yürütmeyen
- Yanma Durumunda Düşük Duman
- Sürekli Çalışma Sıcaklığı : -45C - 125C arası
- Daralma Sıcaklığı : 125C
- 1/2 Oranında Daralma
- Voltaj Direnci : 600 V

KABLO PABUÇ SETLERİ

İZOLESİZ TERMİNAL SETLER

900 Adet Kablo Yüksüğü (0,5-0,75-1,0-1,5-2,5-4-6 mm²) + Yuvarlak & Çatal Tip Kablo Ucu + 6.3mm Dışı & Erkek & Yuvarlak Terminal + Çift Yüksük (0,5-1,0-1,5 mm²)



SET İÇERİĞİ

TKS-2,5-4 mm Yuvarlak Terminal (50 Adet)
 6.3 mm Erkek Terminal (60 Adet)
 6.3 mm Dışı Terminal (50 Adet)
 0.5-1.5 mm M4 Yuvarlak Kablo Ucu (50 Adet)
 6.0 mm Yüksük Yeşil (15 Adet)
 1.5-2.5 mm M4 Çatal Kablo Ucu (50 Adet)
 0.5 mm Çift Giriş Yüksük Beyaz (100 Adet)
 1.5 mm Çift Giriş Yüksük Siyah (30 Adet)
 1.0 mm Çift Giriş Yüksük Kırmızı (50 Adet)
 1.5 mm Yüksük Siyah (60 Adet)
 2.5 mm Yüksük Gri (35 Adet)
 4.0 mm Yüksük Turuncu (20 Adet)
 0.5 mm Yüksük Turuncu (150 Adet)
 0.75 mm Yüksük Mavi (100 Adet)
 1.0 mm Yüksük Kırmızı (85 Adet)

577 parça maasco ful-yarım izole ve izolesiz disi ve erkek kablo ucu pabuc terminal seti 0.5-6.0 mm²



SET İÇERİĞİ

1.5-2.5 Mavi Dışı (25 Adet)
 1.5-2.5 Mavi Erkek (40 Adet)
 1.5-2.5 Mavi Ful-dışı (17 Adet)
 4.0-6.0 Sarı Dışı (20 Adet)
 4.0-6.0 Sarı Erkek (28 Adet)
 4.0-6.0 Sarı Ful-Dışı (14 Adet)
 0.5-1.5 Kırmızı Dışı (35 Adet)
 0.5-1.5 Kırmızı Erkek (50 Adet)
 0.5-1.5 Kırmızı Ful-dışı (20 Adet)
 6.3 Sarı Dışı Terminal (45 Adet)
 6.3 Sarı Erkek Terminal (40 Adet)
 2.8 Sarı Dışı Terminal (100 Adet)
 2.8 Sarı Erkek Terminal (100 Adet)
 6.3 Terminal Kılıfı (43 Adet)

340 Adet Yarım izoleli Dışı + Erkek İzolesiz Dışı + Erkek, İzoleli Ek-Muf 0,5-2.5 mm



SET İÇERİĞİ

1.5-2.5 mm² Ek-Muf (25 Adet)
 0.5-1.5 mm² Ek-Muf (25 Adet)
 0.5-1.5 mm² Dışı 6.3mm (45 Adet)
 0.5-1.5 mm² Erkek 6.3mm (55 Adet)
 1.5-2.5 mm² Dışı 6.3mm (40 Adet)
 1.5-2.5 mm² Erkek 6.3mm (45 Adet)
 İzolesiz dışı terminal 6.3mm (50 Adet)
 İzolesiz Erkek terminal 6.3mm (60 Adet)
 Plastik kılıf (19 Adet)

530 Adet Dışı + Erkek ve sarı topraklama terminal (Oto Tip Pabuç)



SET İÇERİĞİ

1. 50 Adet Sarı dışı Terminal 6.3 mm
 2. 70 Adet Sarı Erkek Terminal 6.3 mm
 3. 50 Adet Yuvarlak Tip Terminal
 4. 90 Adet Sarı Terminal 4.8 mm
 5. 100 Adet Sarı Terminal 2.8 mm
 6. 140 Adet Sarı Terminal Erkek 2.8 mm
 7. 50 Adet Şeffaf Kılıf

390 Adet Dışı + Erkek + Yuvarlak Tip izolesiz Sarı Terminal



SET İÇERİĞİ

100 Adet 6.3 mm Dışı Terminal
 140 Adet 6.3 mm Erkek Terminal
 100 Adet 2.5 mm Yuvarlak Terminal
 +
 50 Adet Terminal Kılıf

Maasco 365 adet Dışı Erkek yarım izoleli kablo ucu + izolesiz terminal kablo pabuç seti



SET İÇERİĞİ

4-6 mm² Dışı 6.3mm (25 Adet)
 4-6 mm² Erkek 6.3mm (25 Adet)
 0.5-1.5 mm² Dışı 6.3mm (45 Adet)
 0.5-1.5 mm² Erkek 6.3mm (55 Adet)
 1.5-2.5 mm² Dışı 6.3mm (40 Adet)
 1.5-2.5 mm² Erkek 6.3mm (45 Adet)
 İzolesiz dışı terminal 6.3mm (50 Adet)
 İzolesiz Erkek terminal 6.3mm (60 Adet)
 Plastik kılıf (19 Adet)

KABLO PABUÇ SETLERİ

İzoleli Kablo Yüksük Seti

315 adet maasco iğne tip & dışı faston Kablo Ucu Pabuç ve kablo birleştirici ek muf kablo pabuçu setli kutulu



SET İÇERİĞİ

Ek-Muf Kırmızı (35 Adet)
Ek-Muf Mavi (31 Adet)
Ek-Muf Sarı (15 Adet)
Dışı Pabuç Kırmızı (45 Adet)
Dışı Pabuç Mavi (38 Adet)
Dışı Pabuç Sarı (27 Adet)
iğne tip Kırmızı (50 Adet)
iğne Tip Mavi (50 Adet)
iğne Tip Sarı (24 Adet)

126 Adet Şeffaf (Isı ile Daralanlı) Kablo Birleştirme Ek-Mufu 0,5-6 mm2



SET İÇERİĞİ

0.5-1.5 mm2 Kırmızı (54 Adet)
1.5-2.5 mm2 Mavi (45 Adet)
4.0-6.0 mm2 Sarı (27 Adet)

290 Adet Yarım İzoleli Kablo Pabuçu Seti (Dışı + Erkek, Yuvarlak + Çatal Tip)



SET İÇERİĞİ

0.5-1.5 mm2 Erkek 6.3mm (20 Adet)
0.5-1.5 mm2 Erkek 4.8mm (20 Adet)
4-6 mm2 Dışı 6.3 mm (20 Adet)
0.5-1.5 mm2 Dışı 4.8 mm (20 Adet)
0.5 mm2 Erkek 6.3 mm (20 Adet)
4-6 mm2 Erkek 6.3 mm (20 Adet)
1.5-2.5 mm2 Erkek 6.3mm (20 Adet)
1.5-2.5 mm2 Erkek 4.8mm (20 Adet)
1.5-2.5 mm2 Yuvarlak M4 (20 Adet)
1.5-2.5 mm2 Dışı 4.8 mm (20 Adet)
1.5-2.5 mm2 Dışı 6.3 mm (20 Adet)
0.5-1.5 mm2 Yuvarlak M4 (20 Adet)
1.5-2.5 mm2 Çatal M4 (20 Adet)
0.5-1.5 mm2 Çatal M4 (20 Adet)
4-6 mm2 Yuvarlak M4 (10 Adet)

305 Parça Yarı İzoleli Dışı ve Erkek ve iğne Terminal Seti



SET İÇERİĞİ

4-6mm2 Erkek Sarı 6.3 mm (20 Ad)
1.5mm2 Erkek kırmızı 6.3mm (30 Ad)
2.5mm2 Erkek Mavi 6.3mm (25 Ad)
1.5mm2 Erkek Kırmızı 4.8mm (30 Ad)
4-6mm2 Dışı Sarı 6.3 mm (20 Adet)
1.5mm2 Dışı Kırmızı 6.3 mm (25 Ad)
2.5mm2 Dışı Mavi 6.3mm (25 Adet)
1.5mm2 Dışı Kırmızı 4.8mm (25 Ad)
2.5mm2 Dışı Mavi 4.8mm (25 Adet)
2.5mm2 Erkek Mavi 4.8mm (25 Ad)
1.5mm2 iğne Tip Kırmızı (30 Adet)
2.5mm2 iğne Tip Mavi (25 Adet)

maasco 274 Adet ek muf (kablo birleştirici) ve izoleli dışı - erkek faston terminal Pabuç kiti



SET İÇERİĞİ

25 Adet 0.5-1.5 mm2 Dışı Faston
55 Adet 0.5-1.5 mm2 Erkek Faston
18 Adet 0.5-1.5 mm2 Dışı Faston
27 Adet 0.5-1.5 mm2 Erkek Faston
20 Adet 0.5-1.5 mm2 Erkek Faston
45 Adet 0.5-1.5 mm2 Erkek Faston
0.5-6 mm2 Kablo Birleştirici
EKMUf 85 Adet

KABLO PABUÇ SETLERİ

Izoleli Kablo Yüksük Seti

1150 Adet Çift & Tek Girişli İzoleli Kablo Yüksüğü (0,5-0,75-1,0-1,5-2,5 mm²)

SET İÇERİĞİ

0.5 mm² Yüksüğü (200 Adet)
 2x0.5 mm² yüksüğü (135 Adet)
 0.75 mm² Yüksüğü (200 Adet)
 1.0 mm² Yüksüğü (200 Adet)
 2x1.0 mm² yüksüğü (90 Adet)
 1.5 mm² Yüksüğü (120 Adet)
 2x1.5 mm² Yüksüğü (60 Adet)
 2.5 mm² yüksüğü (100 Adet)
 2x2.5 mm² Yüksüğü (45 Adet)



1050 Adet kablo Yüksüğü (0,5-1,0-1,5-2,5 mm²), Yuvarlak & Çatal Tip pabucu, Dışı & Yuvarlak Tip Açık terminal seti

SET İÇERİĞİ

0.5 mm² Yüksük (200 adet)
 0.75 mm² Yüksük (200 adet)
 1.0 mm² Yüksük (200 adet)
 1.5 mm² Yüksük (150 adet)
 2.5 mm² Yüksük (100 adet)
 1,5-2,5 mm² Yuvarlak M5 (50 Adet)
 1,5-2,5 mm² Çatal tip M5 (50 Adet)
 izolesiz terminal (50 adet)
 6.3 mm dışı terminal (50 adet)



1850 Parça İzoleli & İzolesiz Yüksük Seti + YYT-22 Sıkma Pensesi 0,5 - 2,5 mm²

SET İÇERİĞİ

0,5 mm İzoleli (90 Adet)
 0,75 mm İzoleli (80 Adet)
 1,0 mm İzoleli (100 Adet)
 1,5 mm İzoleli (60 Adet)
 2,5 mm İzoleli (40 Adet)
 0,75 m İzolesiz (1000 Adet)
 1,0 mm İzolesiz (200 Adet)
 1,5 mm İzolesiz (200 Adet)
 2,5 mm İzolesiz (100 Adet)

+

YYT-22 Sıkma Pensesi



248 Adet Sıkmalı Kablo Pabucu SKP + Sıkmalı Ek Muf + Isı İle Daralan Makaron Seti

SET İÇERİĞİ

SKP 16-M6 (20 Adet)
 SKP 16-M8 (20 Adet)
 SKP 10-M5 (25 Adet)
 SKP 10-M8 (20 Adet)
 SKP 25-M8 (12 Adet)
 SKP 25-M10 (12 Adet)
 10mm Ek-Muf (54Adet)
 16mm Ek-Muf (12Adet)

8.0 mm Daralan x 40 mm x 25 Adet

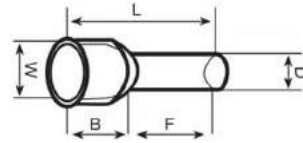
10.0 mm Daralan x 40 mm x 25 Adet



İZOLELİ KABLO YÜKSÜKLERİ
FRANSIZ NORMU (DIN 46228)



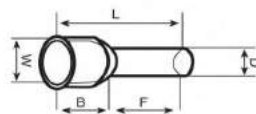
ÜRÜN KODU	KABLO KESİTİ (mm ²)	RENK		EBATLAR (mm)					AMBALAJ MIKTARI (KUTU)	FİYAT (USD / ADET)	
		ALMAN	FRANSIZ	F	L	W	B	D		KUTUSUZ	KUTULU
MIY-0.5-8	0.50			8	14	2,6	6,0	1,3	1.000	0,0061 \$	0,0066 \$
MIY-0.75-8	0.75			8	14	2,8	6,3	1,5	1.000	0,0061 \$	0,0066 \$
MIY-1.0-8	1.00			8	14	3,0	6,3	1,7	1.000	0,0065 \$	0,0072 \$
MIY-1.5-8	1.50			8	14	3,5	6,3	2,0	1.000	0,0076 \$	0,0083 \$
MIY-1.5-10	1.50			10	16	3,5	6,3	2,0	500	0,0086 \$	0,0096 \$
MIY-2.5-8	2.50			8	14	4,2	7,4	2,5	500	0,0088 \$	0,0097 \$
MIY-2.5-12	2.50			12	18	4,2	7,4	2,5	500	0,0108 \$	0,0118 \$
MIY-4.0-10	4.00			10	17	4,8	7,4	3,2	500	0,0144 \$	0,0156 \$
MIY-6.0-12	6.00			12	20	6,3	8,5	3,9	250	0,0192 \$	0,0204 \$
MIY-10-12	10.00			12	22	7,6	8,8	4,9	100	0,0252 \$	0,0300 \$
MIY-16-12	16.00			12	24	8,8	10,0	6,2	100	0,0348 \$	0,0396 \$
MIY-25-16	25.00			16	28	11,2	12,0	7,7	50	0,0660 \$	0,0780 \$
MIY-35-16	35.00			16	30	12,7	14,0	8,7	50	0,0804 \$	0,0924 \$
MIY-50-20	50.00			20	36	15,0	16,0	10,9	25	0,1440 \$	0,1560 \$
MIY-70-21	70.00			21	37	16,0	17,0	14,3	25	0,300 \$	0,312 \$



İZOLELİ KABLO YÜKSÜKLERİ
FRANSIZ NORMU (DIN 46228)



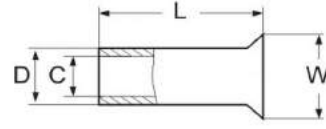
ÜRÜN KODU	KABLO KESİTİ (mm ²)	RENK		EBATLAR (mm)					AMBALAJ MIKTARI (KUTU)	FİYAT (USD / ADET)	
		ALMAN	FRANSIZ	F	L	W	B	D		KUTUSUZ	KUTULU
EIY-0.5	0.50			8	14	2,6	6,0	1,3	1.000	0,0048 \$	0,0052 \$
EIY-0.75	0.75			8	14	2,8	6,3	1,5	1.000	0,0048 \$	0,0052 \$
EIY-1.0	1.0			8	14	3,0	6,3	1,7	1.000	0,0051 \$	0,0054 \$
EIY-1.5	1.5			8	14	3,5	6,3	2,0	1.000	0,0058 \$	0,0062 \$
EIY-2.5	2.5			8	14	4,2	7,4	2,5	500	0,0071 \$	0,0080 \$
EIY-4.0	4.0			10	17	4,8	7,4	3,2	500	0,0119 \$	0,0126 \$
EIY-6.0	6.0			12	20	6,3	8,5	3,9	250	0,0163 \$	0,0179 \$
EIY-10.0	10.0			12	22	7,6	8,8	4,9	100	0,0205 \$	0,0246 \$
EIY-16.0	16.0			12	24	8,8	10,0	6,2	100	0,0348 \$	0,0396 \$



İZOLESİZ KABLO YÜKSÜKLERİ
FRANSIZ NORMU (DIN 46228)



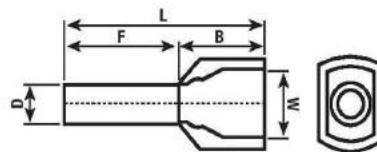
ÜRÜN KODU	KABLO KESİTİ (mm ²)	EBATLAR (mm)			AMBALAJ MIKTARI (KUTU)	FİYAT (USD / ADET)	
		L	C	D		KUTUSUZ	KUTULU
MKY-0.5-6	0.50	6	1,0	1,3	2.000	0,0040 \$	0,0041 \$
MKY-0.75-6	0.75	6	1,2	1,5	1.000	0,0040 \$	0,0041 \$
MKY-1.0-6	1.00	6	1,4	1,7	1.000	0,0040 \$	0,0041 \$
MKY-1.0-10	1.00	10	1,4	1,7	1.000	0,0040 \$	0,0042 \$
MKY-1.5-7	1.50	7	1,7	2,0	1.000	0,0043 \$	0,0045 \$
MKY-1.5-10	1.50	10	1,7	2,0	1.000	0,0045 \$	0,0047 \$
MKY-2.5-7	2.50	7	2,2	2,5	1.000	0,0053 \$	0,0055 \$
MKY-2.5-12	2.50	12	2,2	2,5	1.000	0,0064 \$	0,0066 \$
MKY-4.0-12	4.00	12	2,8	3,2	1.000	0,0101 \$	0,0103 \$
MKY-6.0-12	6.00	12	3,5	3,9	500	0,0120 \$	0,0124 \$
MKY-10-12	10.00	12	4,5	4,9	250	0,0180 \$	0,0185 \$
MKY-10-15	10.00	15	4,5	4,9	250	0,0192 \$	0,0200 \$
MKY-16-12	16.00	12	5,8	6,2	250	0,0198 \$	0,0250 \$
MKY-16-15	16.00	15	5,8	6,2	250	0,0292 \$	0,0300 \$
MKY-25-16	25.00	16	7,5	7,9	100	0,0370 \$	0,0385 \$
MKY-35-16	35.00	16	8,3	8,7	100	0,0430 \$	0,0447 \$
MKY-50-20	50.00	20	10,3	10,9	50	0,0880 \$	0,0898 \$



İZOLELİ ÇİFT GİRİŞLİ KABLO YÜKSÜKLERİ
FRANSIZ NORMU (DIN 46228)



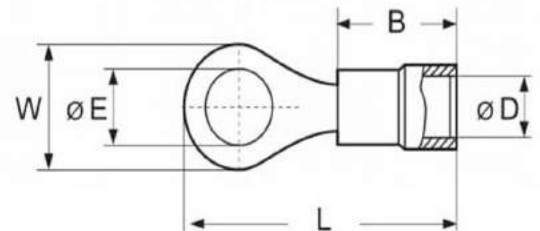
ÜRÜN KODU	KABLO KESİTİ (mm ²)	RENK	EBATLAR (mm)					AMBALAJ MIKTARI (KUTU)	FİYAT (USD / ADET)	
			F	L	W	B	D		KUTUSUZ	KUTULU
MCY-0.5-8	0.50		8	14	5,0	6,5	1,8	1.000	0.011	0.012 \$
MCY-0.75-8	0.75		8	14	5,5	6,7	2,1	500	0.011	0.012 \$
MCY-1.0-8	1.00		8	14	5,5	7,1	2,4	500	0.012	0.013 \$
MCY-1.5-8	1.50		8	14	6,4	7,5	2,6	500	0.013	0.014 \$
MCY-2.5-10	2.50		10	18	8,0	8,5	3,3	250	0.019	0.021 \$
MCY-4.0-12	4.00		12	23	8,0	11,1	4,2	200	0.029	0.031 \$
MCY-6.0-14	6.00		14	26	9,5	12,1	5,3	100	0.041	0.045 \$
MCY-10-14	10.00		14	27	12,6	12,6	6,9	100	0.057	0.061 \$
MCY-16-14	16.00		14	31	19,0	17,3	8,7	50	0.083	0.091 \$



YUVARLAK TİP İZOLELİ KABLO UÇLARI
FRANSIZ NORMU (DIN 46237)



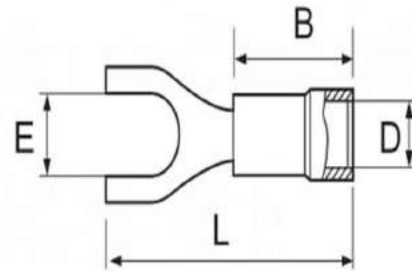
ÜRÜN KODU	KABLO KESİTİ (mm ²)	CİVATA ÖLÇÜSÜ	EBATLAR (mm)					AMBALAJ MIKTARI (KUTU)	FİYAT (TL / ADET)	
			E	L	B	D	W		RENK	FIYAT
MYU-301	0,50 - 1,50	M3	3,2	17,3	10,4	4,0	6,0	200	■	0,65
MYU-351		M3,5	3,7	17,3	10,4	4,0	6,0	200	■	0,90
MYU-401		M4	4,3	21,8	10,4	4,0	8,0	200	■	0,89
MYU-501		M5	5,3	21,8	10,4	4,0	8,0	200	■	0,98
MYU-601		M6	6,4	27,5	10,4	4,0	11,6	200	■	1,35
MYU-801		M8	8,4	27,5	10,4	4,0	11,6	200	■	1,45
MYU-1001		M10	10,5	31,8	10,4	4,0	13,6	200	■	1,99
MYU-1201		M12	13,5	31,8	10,4	4,0	13,6	200	■	2,75
MYU-302	1,50 - 2,50	M3	3,2	22,3	10,4	4,6	8,5	200	■	1,10
MYU-352		M3,5	3,7	22,3	10,4	4,6	8,5	200	■	1,25
MYU-402		M4	4,3	22,3	10,4	4,6	8,5	200	■	1,20
MYU-502		M5	5,3	22,3	10,4	4,6	9,5	200	■	1,30
MYU-602		M6	6,4	27,3	10,4	4,6	12,0	200	■	1,65
MYU-802		M8	8,4	27,3	10,4	4,6	12,0	200	■	1,73
MYU-1002	M10	M10	10,5	30,8	10,4	4,6	13,6	200	■	1,78
MYU-1202		M12	13,5	30,8	10,4	4,6	13,6	200	■	1,99
MYU-306	4,00 - 6,00	M3	3,7	26,5	13,5	6,6	9,5	100	■	2,45
MYU-406		M4	4,3	26,5	13,5	6,6	9,5	100	■	2,30
MYU-506		M5	5,3	26,5	13,5	6,6	9,5	100	■	2,35
MYU-606		M6	6,4	29,2	13,5	6,6	12,0	100	■	2,55
MYU-806		M8	8,4	34,5	13,5	6,6	15,0	100	■	3,15
MYU-1006		M10	10,5	34,5	13,5	6,6	15,0	100	■	3,30
MYU-1206	M12	13,5	34,5	13,5	6,6	15,0	100	■	3,40	
MYU-510	6,0 - 10,0	M5	5,3	30,0	17,5	8,3	10,0	100	■	4,50
MYU-610		M6	6,4	31,5	17,5	8,3	11,0	100	■	4,50
MYU-810		M8	8,4	36,0	17,5	8,3	14,0	100	■	4,85
MYU-1010		M10	10,5	39,0	17,5	8,3	18,0	100	■	5,65
MYU-516	10,0 - 16,0	M5	5,3	37,5	23,0	9,7	11,0	50	■	6,85
MYU-616		M6	6,4	37,5	23,0	9,7	11,0	50	■	7,15
MYU-816		M8	8,4	43,0	23,0	9,7	14,0	50	■	7,50
MYU-1016		M10	10,5	45,0	23,0	9,7	18,0	50	■	7,95
MYU-1216		M12	13,0	45,0	23,0	9,7	18,0	50	■	8,30



ÇATAL TİP İZOLELİ KABLO UÇLARI
FRANSIZ NORMU (DIN 46237)



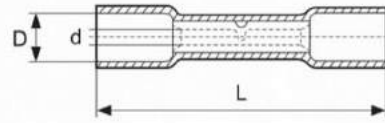
ÜRÜN KODU	KABLO KESİTİ (mm ²)	CİVATA ÖLÇÜSÜ	EBATLAR (mm)					AMBALAJ MİKTARI (KUTU)	FİYAT (TL / ADET)	
			E	L	B	D	W		RENK	FIYAT
MCU-3001	0,50 - 1,50	M3	3,2	21,8	10,4	4,0	5,7	200	■	0,78
MCU-3501		M3,5	3,7	21,8	10,4	4,0	5,7	200	■	0,85
MCU-4001		M4	4,3	21,8	10,4	4,0	6,4	200	■	0,83
MCU-5001		M5	5,3	21,8	10,4	4,0	8,0	200	■	0,85
MCU-6001		M6	6,7	21,8	10,4	4,0	10,7	200	■	0,95
MCU-8001		M8	5,3	21,8	10,4	4,0	8,0	200	■	0,12
MCU-1001		M10	6,7	21,8	10,4	4,0	10,7	200	■	0,14
MCU-3002	1,50 - 2,50	M3	3,2	21,8	10,4	4,6	5,7	200	■	0,86
MCU-3502		M3,5	3,7	21,8	10,4	4,6	5,7	200	■	1,00
MCU-4002		M4	4,3	21,8	10,4	4,6	6,4	200	■	0,90
MCU-5002		M5	5,3	21,8	10,4	4,6	8,0	200	■	0,95
MCU-6002		M6	6,7	24,8	10,4	4,6	10,7	200	■	1,20
MCU-8002		M8	6,7	24,8	10,4	4,6	10,7	200	■	1,35
MCU-1002		M10	6,7	24,8	10,4	4,6	10,7	200	■	1,50
MCU-4006	4,00 - 6,00	M4	4,3	26,5	13,5	6,6	8,2	100	■	1,95
MCU-5006		M5	5,3	26,5	13,5	6,6	9,0	100	■	2,05
MCU-6006		M6	6,7	31,2	13,5	6,6	12,0	100	■	2,65
MCU-6008		M8	6,7	31,2	13,5	6,6	12,0	100	■	3,00
MCU-6010		M10	6,7	31,2	13,5	6,6	12,0	100	■	3,50
MCU-5010	6,0 - 10,0	M5	5,3	29,5	17,5	8,3	9,0	100	■	4,85
MCU-6010		M6	6,7	32,0	17,5	8,3	12,0	100	■	5,15
MCU-5016	10,0 - 16,0	M5	5,3	40,5	23,0	9,7	12,0	50	■	6,85
MCU-6016		M6	6,7	40,5	23,0	9,7	12,0	50	■	8,75



EK MUF İZOLELİ KABLO UÇLARI
FRANSIZ NORMU (DIN 46237)



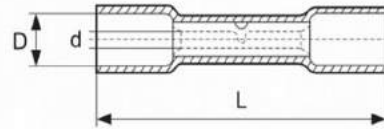
ÜRÜN KODU	KABLO KESİTİ (mm ²)	EBATLAR (mm)			AMBALAJ MİKTARI (KUTU)	FİYAT (TL / ADET)	
		L	D	d		RENK	FIYAT
MBY-251	0,5-1,5	23,0	4,0	2,0	200	■	1,20
MBY-252	1,5-2,5	23,2	4,5	2,4	200	■	1,26
MBY-256	4,0-6,0	25,5	6,3	3,6	100	■	2,10
MBY-2510	6,0-10,0	35,8	8,5	5,1	50	■	2,99



ISI BÜZÜŞMELİ EK MUF KABLO UÇLARI
FRANSIZ NORMU (DIN 46237)

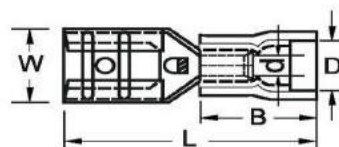


ÜRÜN KODU	KABLO KESİTİ (mm ²)	EBATLAR (mm)			AMBALAJ MİKTARI (KUTU)	FİYAT (TL / ADET)	
		L	D	d		RENK	FIYAT
MPY-251	0,5-1,5	38,0	4,0	2,0	200	■	3,25
MPY-252	1,5-2,5	38,0	4,5	2,4	200	■	3,99
MPY-256	4,0-6,0	42,0	6,3	3,6	100	■	5,90



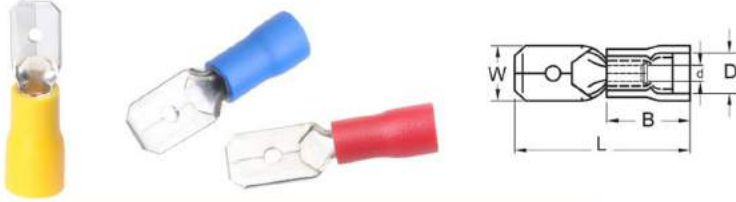
DIŞI FASTON TİP TERMINALLER
FRANSIZ NORMU (DIN 46237)

ÜRÜN KODU	KABLO KESİTİ (mm ²)	SOKET GENİŞLİĞİ	EBATLAR (mm)					AMBALAJ MİKTARI (KUTU)	FİYAT (TL / ADET)	
			L	B	W	D	d		RENK	FIYAT
MFD-1288	0,50 – 1,50	0,8 X 2,8	19,0	10,0	3,8	3,8	1,7	200	■	0,60
MFD-1488		0,8 X 4,75	19,0	10,0	5,6	3,8	1,7	200	■	0,72
MFD-1638		0,8 X 6,35	21,0	10,0	7,4	3,8	1,7	200	■	0,93
MFD-2288	1,50 – 2,50	0,8 X 2,8	19,0	10,0	3,8	4,3	2,3	200	■	0,72
MFD-2488		0,8 X 4,75	19,0	10,0	5,6	4,3	2,3	200	■	0,93
MFD-2638		0,8 X 6,35	21,0	10,0	7,4	4,3	2,3	200	■	0,99
MFD-5638		4,00 – 6,00	0,8 X 6,35	25,0	14,0	7,4	5,7	3,4	100	■



ERKEK FASTON TİP TERMİNALLER
FRANSIZ NORMU (DIN 46237)

ÜRÜN KODU	KABLO KESİTİ (mm ²)	SOKET GENİŞLİĞİ	EBATLAR (mm)					AMBALAJ MİKTARI (KUTU)	FİYAT (TL / ADET)	
			L	B	W	D	d		RENK	FIYAT
MFE-1288	0,50 – 1,50	0,8 X 2,8	17,7	10,0	2,8	4,3	1,7	200	■	0,64
MFE-1488		0,8 X 4,75	18,5	10,0	4,75	4,3	1,7	200	■	0,68
MFE-1638		0,8 X 6,35	21,0	10,0	6,35	4,3	1,7	200	■	0,78
MFE-2488	1,50 – 2,50	0,8 X 4,75	18,5	10,0	4,75	4,7	2,3	200	■	0,78
MFE-2638		0,8 X 6,35	21,0	10,0	6,35	4,7	2,3	200	■	0,85
MFE5638	4,00 – 6,00	0,8 X 6,35	25,0	14,0	6,35	5,75	3,4	100	■	1,00



TAM İZOLELİ DIŞI FASTON TİP KABLO UÇLARI
FRANSIZ NORMU (DIN 46237)

ÜRÜN KODU	KABLO KESİTİ (mm ²)	SOKET GENİŞLİĞİ	EBATLAR (mm)					AMBALAJ MİKTARI (KUTU)	FİYAT (TL / ADET)	
			L	B	W	D	d		RENK	FIYAT
MFFD-1288	0,50 - 1,50	0,8 X 2,80	19,0	5,0	3,2	4,0	1,7	200	■	0,85
MFFD-1488		0,8 X 4,75	20,0	5,0	5,6	4,0	1,7	200	■	0,95
MFFD-1638		0,8 X 6,35	21,5	6,6	7,4	4,0	1,7	200	■	1,26
MFFD-2288	1,50 - 2,50	0,8 X 2,80	19,0	5,0	3,2	4,5	2,3	200	■	0,95
MFFD-2488		0,8 X 4,75	20,0	5,0	5,6	4,5	2,3	200	■	1,00
MFFD-2638	4,00 - 6,00	0,8 X 6,35	21,5	6,6	7,4	4,5	2,3	200	■	1,30
MFFD-5638		0,8 X 6,35	25,5	6,6	7,4	5,7	3,4	100	■	1,37



POLYAMİD DIŞI FASTON TİP KABLO UÇLARI
FRANSIZ NORMU (DIN 46237)

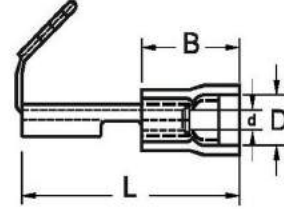
ÜRÜN KODU	KABLO KESİTİ (mm ²)	SOKET GENİŞLİĞİ	EBATLAR (mm)					AMBALAJ MİKTARI (KUTU)	FİYAT (TL / ADET)	
			L	B	W	D	d		RENK	FIYAT
MPFD-1638	0,50 – 1,50	0,8 X 6,35	22,0	11,0	6,6	4,0	1,7	200	■	2,80
MPFD-2638	1,50 – 2,50	0,8 X 6,35	22,0	11,0	6,6	5,0	2,3	200	■	2,95
MPFD-5638	4,00 – 6,00	0,8 X 6,35	24,0	13,0	6,6	6,3	3,4	100	■	3,40



ERKEK / DIŐI TIP GERİ DÖNÜŐLÜ TERMİNALLER
FRANSIZ NORMU (DIN 46237)



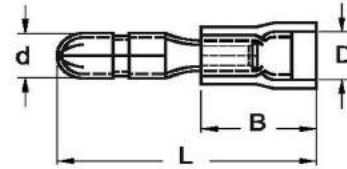
ÜRÜN KODU	KABLO KESİTİ (mm ²)	SOKET GENİŐLİĐİ	EBATLAR (mm)					AMBALAJ MİKTARI (KUTU)	FİYAT (TL / ADET)	
			L	B	W	D	d			
MFDEG-1861	0,50 – 1,50	0,8 X 6,35	22,0	10,5	6,8	3,8	1,7	200	■	1,60
MFDEG-2862	1,50 – 2,50	0,8 X 6,35	22,0	10,5	6,8	4,3	2,3	200	■	1,75
MFDEG-5866	4,00 – 6,00	0,8 X 6,35	25,0	14,0	6,8	5,7	3,4	100	■	1,90



ERKEK TERMİNAL İZOLELİ KABLO UÇLARI
FRANSIZ NORMU (DIN 46237)



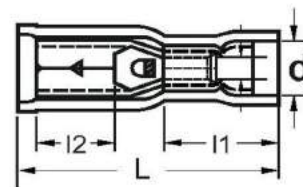
ÜRÜN KODU	KABLO KESİTİ (mm ²)	EBATLAR (mm)				AMBALAJ MİKTARI (KUTU)	FİYAT (TL / ADET)	
		L	B	D	d			
MBE-1040	0,5-1,5	20,4	9,8	3,5	4,0	200	■	2,50
MBE-2040	1,5-2,5	20,4	9,8	4,2	4,0	200	■	2,75
MBE-5050	4,0-6,0	22,5	13,7	5,5	5,0	100	■	3,40



DIŐI TERMİNAL İZOLELİ KABLO UÇLARI
FRANSIZ NORMU (DIN 46237)



ÜRÜN KODU	KABLO KESİTİ (mm ²)	EBATLAR (mm)				AMBALAJ MİKTARI (KUTU)	FİYAT (TL / ADET)	
		L	I1	I2	d			
MBD-1040	0,5-1,5	22,5	10,5	12,5	3,9	200	■	2,50
MBD-2050	1,5-2,5	22,5	10,5	12,5	4,0	200	■	2,75
MBD-5050	4,0-6,0	23,5	12,0	13,5	5,5	100	■	3,40

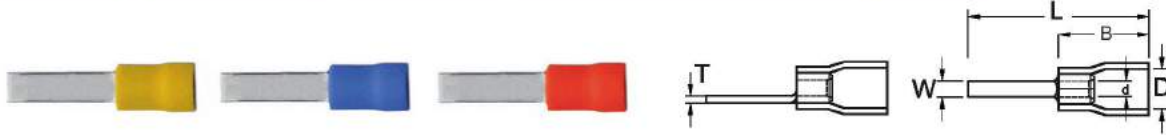


BIÇAK TIP İZOLELİ KABLO UÇLARI

FRANSIZ NORMU (DIN 46237)



ÜRÜN KODU	KABLO KESİTİ (mm ²)	EBATLAR (mm)						AMBALAJ MIKTARI (KUTU)	FİYAT (TL / ADET)	
		L	B	D	d	W	T		RENK	FIYAT
MBCU-101	0,5-1,5	20,4	10,4	4,0	1,7	2,3	0,8	200	■	1,05
MBCU-102	1,5-2,5	20,4	10,4	4,6	2,3	3,0	0,8	200	■	1,15
MBCU-106	4,0-6,0	22,5	13,5	6,9	3,5	3,0	1,0	100	■	3,00



İĞNE TIP İZOLELİ KABLO UÇLARI

FRANSIZ NORMU (DIN 46237)



ÜRÜN KODU	KABLO KESİTİ (mm ²)	EBATLAR (mm)			AMBALAJ MIKTARI (KUTU)	FİYAT (TL / ADET)	
		L	B	F		RENK	FIYAT
MIU-101	0,5-1,5	22,5	10,0	2,0	200	■	0,90
MIU-102	1,5-2,5	22,9	10,0	2,0	200	■	1,10
MIU-106	4,0-6,0	27,3	13,5	2,7	100	■	2,60



PASLANMAZ ÇELİK KABLO BAĞLARI

ÜRÜN KODU	BOYUTLAR (mm)		BAĞLAMA ÇAPI (mm)	AZAMI SIKMA ÇAPI (Kg)	AMBALAJ MIKTARI		FİYAT (TL / ADET)
	L	W			POŞET	KOLİ	
SST-150	150	4.6	50	46	100	8.000	3,00
SST-200	200	4.6	95	46	100	5.000	3,30
SST-300	300	4.6	150	46	100	5.000	3,80
SST-360	360	4.6	180	46	100	2.000	4,20
SST-520	520	4.6	180	46	100	2.000	5,50
SST-600	600	4.6	195	46	100	2.000	6,40
SST-680	680	4.6	95	80	100	2.000	6,80
SLT-300	300	7.9	150	46	100	5.000	5,20
SLT-360	360	7.9	180	46	100	2.000	5,90
SLT-520	520	7.9	180	46	100	2.000	8,50
SLT-600	600	7.9	195	46	100	2.000	9,50
SLT-680	680	7.9	95	80	100	2.000	10,00

